

nexus

massage tables



NEXUS massage table line

The NEXUS massage table is designed for performing manual massage treatments to treat and alleviate traumas or disabilities by restoring or improving the function of massaged tissues, organs, and systems.

The clinical benefits of massage tables are based on the fact that it is possible for the patient to take the right position for the massage treatment and the possibility to adjust the height and/or individual sections of the table, which facilitates the work of the rehabilitator/physiotherapist and increases the comfort of the patient during the massage treatment.

The Nexus massage table can be used also for performing other rehabilitation treatments.



Medical devices are marked with sign **MD**

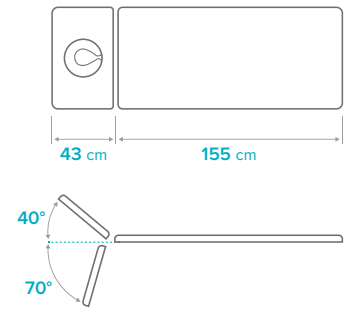
This brochure contains information on, among other things, medical devices that should be handled by qualified medical personnel and used in accordance with the instructions for use or the label.

Structures

MD NEXUS S2 / S2-H



NEXUS S2-H



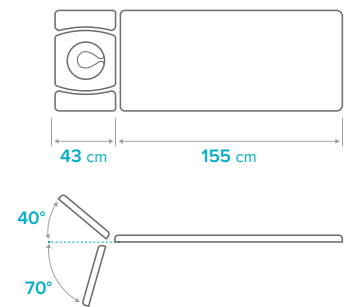
MD NEXUS S4 / S4-H



NEXUS S4



NEXUS S4-H



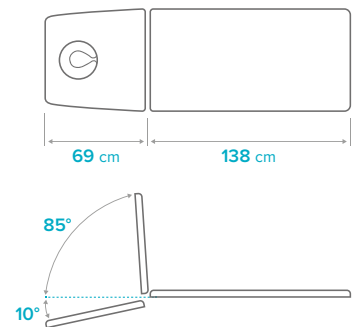
MD NEXUS E-S2 / E-S2-H



NEXUS E-S2



NEXUS E-S2-H



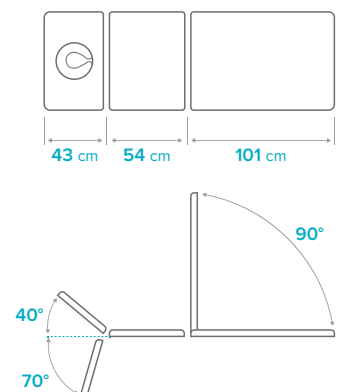
MD NEXUS S3 / S3-H



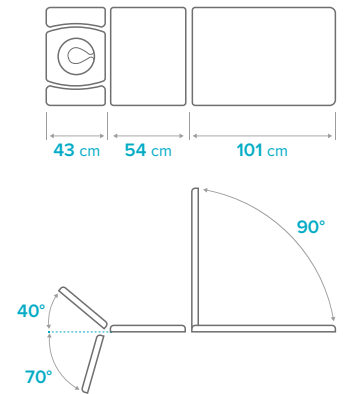
NEXUS S3



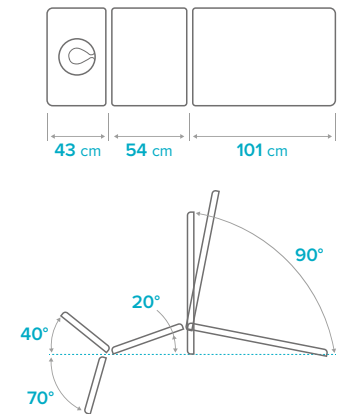
NEXUS S3-H



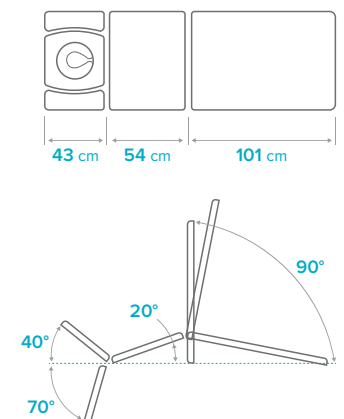
MD NEXUS S5 / S5-H



MD NEXUS P3 / P3-H



MD NEXUS P5 / P5-H



NEXUS massage table line

The table complies with the recommendations against crushing or trapping a person who might be under the table (e.g., by reducing the external force thanks to drive properties and automatic deactivation of the control system).



Big TENTE castors



LINAK® IRS™ actuator for electric height adjustment (not applicable in H version).



Electric control options:



Hand remote control

for electric height adjustment (not applicable in H version) - additional function of three position memory.

or



Foot remote control

for electric height adjustment (not applicable in H version).

or



Hand controlled frame

for electric height adjustment (not applicable in H version).



Nexus S3
with electric height adjustment



Nexus S3-H
with hydraulic height adjustment

NEXUS massage table

Type: E-S2 / S2 / S3 / S4 / S5 / P3 / P5



Box dimensions: 220 x 85 x 75 cm

Weight: +50 kg

Features:

- 2-, 3-, 4- or 5-section massage table,
- postural drainage by the means of 2 levers accessible from 2 sides of the table top (P3/P5 only),
- 2-ply padding with upholstery in a wide range of colours,
- face hole with a crescent plug,
- head and leg sections adjustable with gas springs,
- electric height adjustment: 50-94 cm (52,5 – 96,5 cm in P3/P5) by foot remote control,
- electric LINAK® IRS™ actuator; has a push function only, limiting the possibility of accidental crushing; it is possible to lift the top frame of the table freely,
- equipped with an Automatic Control Lock function, which is activated 10 seconds after the last use of the control manipulators (hand remote control, hand controlled frame, etc.); to unlock it, the control manipulator must be used twice within a short period of time; the next use of the control manipulator, within a maximum of 10 seconds, activates the possibility of electrical control of the table,
- stable scissor frame,
- two options for the frame painting: White or Anthracite,
- durable construction with maximum safe working load for height adjustment of up to 185 kg,
- rotating slide-down armrest in head section (S4/S5/P5 only): 90° rotation, 18 cm of lowering range,
- mobile - 2 transport castors.



Frame painting:



Additional accessories:

- paper holder,
- wedges,
- bolsters, semi-bolsters,
- 2 x side rails (not available if the table has already horizontal folding barriers),
- stools for therapist.

Additional options:

- hand remote control - instead of foot remote control*,
- hand controlled frame - instead of foot remote control*,
- built-in table top heating system,
- horizontal folding barriers (2 pcs) (E-S2 / S2 / S3 / S4 / S5 only).

* **Important note:** every table only be equipped with **ONE** of the electrical control options (foot remote control **OR** hand remote control **OR** hand controlled frame).

Ordering information:

- available
- not available

	S2	E-S2	S3	S4	S5	P3	P5
electric height adjustment	●	●	●	●	●	●	●
rotating slide-down armrest	○	○	○	●	●	○	●
postural drainage	○	○	○	○	○	●	●

NEXUS massage table

Type: E-S2-H / S2-H / S3-H / S4-H / S5-H / P3-H / P5-H



Box dimensions: 220 x 85 x 75 cm
Weight: +50 kg

Features:

- 2-, 3-, 4- or 5-section massage table,
- postural drainage by the means of 2 levers accessible from 2 sides of the table top (P3-H/P5-H only),
- two-layer padding with upholstery in a wide range of colours,
- face hole with a crescent plug,
- head and leg sections adjustable with gas springs,
- hydraulic height adjustment: 50-94 cm (52,5 - 98,5 cm in P3-H/P5-H) by a lever,
- hydraulic actuator,
- hydraulic height adjustment has a push function only, limiting the possibility of accidental crushing; it is possible to lift the top frame of the table freely,
- stable scissor frame,
- two options for the frame painting: White or Anthracite,
- durable construction with maximum safe working load for height adjustment of up to 185 kg,
- rotating slide-down armrest in head section (S4-H/S5-H/P5-H only): 90° rotation, 18 cm of lowering range,
- mobile - 2 transport castors.



Frame painting:



Additional accessories:

- paper holder,
- wedges,
- bolsters, semi-bolsters,
- 2 x side rails (not available if the table has already horizontal folding barriers),
- stools for therapist.

Additional options:

- 2 x horizontal folding barriers (E-S2-H / S2-H / S3-H / S4 / S5 only).

Ordering information:

- available
- not available

	S2-H	E-S2-H	S3-H	S4-H	S5-H	P3-H	P5-H
hydraulic height adjustment	●	●	●	●	●	●	●
rotating slide-down armrest	○	○	○	●	●	○	●
postural drainage	○	○	○	○	○	●	●

Enjoy the upholstery in the colours of your choice

LUX upholstery



Surface composition: 100% Polyurethane

Backing composition: 100% Polyester

Additional accessories and options

Additional accessories

Paper holders



Type 4
(S3/S3-H/S5/S5-H)



Type 9
(E-S2/E-S2-H/S2/S2-H/S4/S4-H)



Type 14
(P3/P3-H/P5/P5-H)

Side rails



Different sizes of



Wedges



Bolsters



Semi-bolsters

Stools for therapists



Additional options



Heating system
(el. versions)



Horizontal folding
barriers

Technical data

NEXUS type:	S2/S2-H	E-S2/E-S2-H	S3/S3-H	S4/S4-H	S5/S5-H	P3/P3-H	P5/P5-H
Number of sections:	2	2	3	4	5	3	5
Dimensions (LxW) [cm]:	198x69	207x69	205x69	198x69	205x69	205x69	205x69
Head section inclination angle [°]:	-70/+40	-10/+85	-70/+40	-70/+40	-70/+40	-70/+40	-70/+40
Armrest rotation [°]:	-	-	-	90	90	-	90
Armrest lowering range [cm]:	-	-	-	18	18	-	18
Middle/leg s. inclination angle – pivot [°]:	-	-	-	-	-	+20	+20
Leg section inclination angle [°]:	-	-	0/+90	-	0/+90	0/+90	0/+90
Height adjustment (el./H) [cm]:	50-94/ 50-94	50-94/ 50-94	50-94/ 50-94	50-94/ 50-94	50-94/ 50-94	52,5-96,5/ 52,5-98,5	52,5-96,5/ 52,5-98,5
Weight [kg]:	approx. 85						
Max. safe load [kg]:	185						
Power supply (only in electric versions) [V/Hz] :	100-240/50-60						

This brochure is intended for information purposes only and shall not constitute a commercial offer within the meaning of Art. 66 of the Civil Code. The manufacturer reserves the right to make design changes that do not affect the basic functionality and safety requirements. The colours shown in the leaflet may differ slightly from the actual colours due to the printing process.

How to order easily

If our brochure is of interest to you and you want to order any of presented products, please don't hesitate to contact us:



European markets

Kamilla Modzelewska

Vice President

km@meden.com.pl
+48 94 344 90 50
+48 602 668 002



CIS region, Ukraine,
Georgia

Oksana Ardan

Key account specialist

oardan@meden.com.pl
+48 94 347 10 67
+48 607 566 302



North/South America,
Africa, Ireland, GB

Tomasz Górecki

Key Account Manager

tgorecki@meden.com.pl
+48 601 646 866



Australia, Asia and Middle
East

Mariusz Rubik

Key Account Specialist
& Training Consultant

mrubik@meden.com.pl
+48 690 266 543

Product trainings



Mariusz Rubik

Key Account Specialist
& Training Consultant

mrubik@meden.com.pl
+48 690 266 543



Mateusz Baranowski

Training Consultant

mbaranowski@meden.com.pl
+48 663 152 888



Marek Urbanowicz

Technical Support Specialist

murbanowicz@meden.com.pl
+48 600 693 741



Maciej Petrykowski

Technical Support

mpetrykowski@meden.com.pl
+48 668 811 116

Find us

Check out our social media websites.
You will find videos, photos and many useful informations.





Meden-Inmed, 2 Wenedów Street, 75-847 Koszalin, Poland
phone: +48 94 344 90 50, +48 94 347 10 40
e-mail: international@meden.com.pl, www.en.meden.com.pl