

Bathaid & Hydraid



Bathaid care bathtub / **Hydraid** bathtub hoist

This leaflet includes information on medical devices that should be handled by qualified medical personnel and used in accordance with the instructions or label.

Bathaid care bathtub

Hydraid bathtub hoist



Specially designed and intended for use in hospitals, nursing homes and long-term care facilities, the **Bathaid** care bathtub is ideal for bathing and washing patients. The built-in height adjustment feature facilitates personnel to perform hygienic activities related to the daily care of the patient.

Bathaid is a tub designed for patients with reduced mobility due to injury, illness, or disability.

Bathaid (standard features):

- Ergonomic design,
- Profiled bathtub with armrests, made of acrylic; the outer covers are made of gelcoat,
- Automatic siphon, drain closing knob for water discharge,
- Electric lifting and lowering of the bathtub with adjustment in the range of 40 cm,
- Lifting and lowering of the bathtub by means of a fixed panel and a remote control (with access authorisation), which allows the bathtub to be lifted and lowered at two different lifting/lowering speeds,
- Shower head,
- Handles.

Designed for use in hospitals, sanatoriums, and nursing homes, the **Hydraid** bathtub hoist with height adjustment is used for lifting, transferring, and bathing people with reduced mobility due to illness or disability. It enables the carer to transfer the patient from the bed directly into the bath and back into the bed again.

The Hydraid can be operated by one person, giving the caregiver more ergonomics.

The Hydraid can also be used in conjunction with the Bathaid for care purposes.

Hydraid:

- Raising/lowering,
- Mobile,
- Equipped with control panel and manual remote control for height adjustment,
- 3-ply lying surface (+ pad),
- Lying surface adjustment,
- With/without weight trend indicator.

Bathaid care bathtub

3 models of Bathaid:



ECONOMY

Standard equipment:

- Thermostatic mixer with manual water filling spout.

Optional equipment:

- High speed lifting/lowering actuator,
- Disinfecting system,
- Water temperature indicator with an electronic display,
- Rechargeable battery for emergency lowering in case of power failure/interruption,
- Headrest,
- Leg support.



PREMIUM / PREMIUM PLUS

Standard equipment:

- Control panel with touch screen and colour display,
- Thermostatic faucet with separate outlet,
- Automatic bathtub filling system operated from the control panel (filling to an electronically controlled level),
- Electronic display of bath and outlet water temperature,
- AIR function (air nozzles) - **only available with PREMIUM Plus.**

Optional equipment:

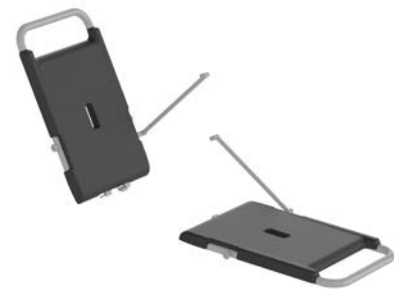
- AUDIO - for baths with music,
- CHROMO - for baths with light effects - 12 LED points with selection of light effects,
- AROMA - for scented baths; aerated baths only - **only available with PREMIUM Plus,**
- Disinfecting system,
- Headrest,
- Leg support.

Hyraid bathtub hoist

Hyraid (when seated)



option



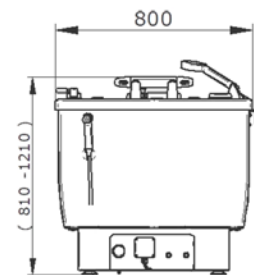
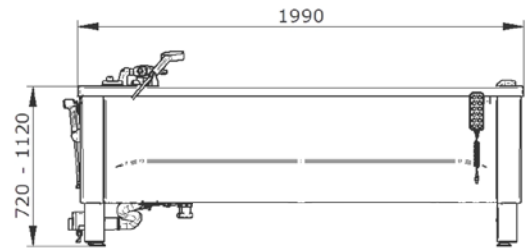
Hyraid (when lying)



Bathaid care bathtub

Technical data:

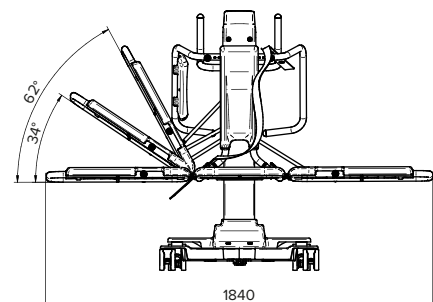
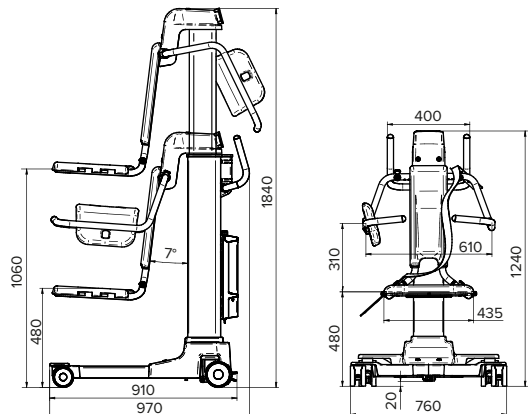
| | |
|---|-------------|
| Dimensions (L x W) [mm]: | 1990 x 800 |
| Height min./max (basin edge) [mm]: | 720-1120 |
| Basin depth [mm]: | 430 |
| Drain Ø [mm]: | 50 |
| Overflow capacity [l]: | 270 |
| Power supply [V, Hz]: | 230, 50 |
| Device weight (ECONOMY/PREMIUM/PREMIUM Plus) [kg]: | 210/230/252 |
| Max. patient weight [kg]: | 185 |
| Max. safe working load of the bathtub (SWL) [kg]: | 400 |
| Max. filling time up to overflow (ECONOMY/PREMIUM) (at flow ~70l/min) [min]: | ~16/~9,5 |
| Max. drainage time of the bathtub basin [min]: | ~4 |
| Lifting/lowering time - low-speed actuators (ECONOMY) at SWL 400 kg [s]: | ~ 50 |
| Lifting/lowering time - high-speed actuators (ECONOMY (option)/ PREMIUM/PREMIUM Plus) at SWL 400 kg [s]: | ~ 30 |
| Min. water level for bathing (PREMIUM/PREMIUM Plus) [l]: | 170 |



Hydraid bathtub hoist

Technical data:

| | |
|--|------------------------|
| Dimensions (when seated) (L x W x H (min./max.)) [mm]: | 970 x 760 x 1240/1840 |
| Dimensions (when lying) (L x W x H (min./max.)) [mm]: | 970 x 1840 x 1240/1840 |
| Lying surface dimensions (L x W) [mm]: | 430 x 1840 |
| Seat width [mm]: | 435 |
| Grip height [mm]: | 1190 |
| Turning diameter [mm]: | 1150 |
| Wheels diameter (with/without brake) [mm]: | 125/100 |
| Input voltage [V, Hz]: | 100-240, 50-60 |
| Battery capacity [Ah]: | 2,9 |
| Device weight [kg]: | 95 |
| Max. safe working load when lying [kg]: | 160 |
| Max. safe working load when seated [kg]: | 180 |
| Lifting/lowering time [s]: | 42/35 |



This leaflet is intended for information purposes only and shall not constitute a commercial offer within the meaning of Art. 66 of the Civil Code. The manufacturer reserves the right to make design changes that do not affect the basic functionality and safety requirements.

The colours shown in the leaflet may differ slightly from the actual colours due to the printing process.