





Meden-Inmed was founded in 1989 as a company employing two people. Since then, it has gained a strong market position through hard work and reliability. Initially a small distributor of a few renowned manufacturers, now a dynamic medium-sized company with over 300 employees - professionals in the fields of electronics, mechanics, economy, sales and marketing. In 2019, the company will celebrate its 30<sup>th</sup> anniversary.

Modern rehabilitation combines specialized knowledge with state of the art technology. We knew that when we started our own production plant in 1996 and are even more convinced of it now, when we create new products and widen our offer of medical devices each year. We make sure they are modern, efficient, comfortable and user friendly. We are always happy to see new ideas turn into new products.

Every product we have sold proves the trust our customers have placed in us. Behind every device we deliver there is a long-term relationship. Our customers consciously select a supplier that not only delivers the equipment, but can also guarantee quality and professional service. It has always been our duty and our motto.

To address the growing needs of our customers we have now expanded the range of our products. Our goal is to deliver you complete range of equipment required by professionals in the field of rehabilitation. This catalogue shows just a part of our offer and is dedicated to professional equipment for kinesiotherapy.

We will help you choose the best equipment that is tailored to your needs. Let this catalogue be your guide to our products. Meden-Inmed's Team will assist you in every matter of our cooperation. We are always here to hear your voice. Your feedback is always welcome and appreciated.

**Ph.D. Eng. Wiesław Zinka**  
**President**  
**Meden-Inmed Company**

**Maciej Zinka**  
**Vice President**  
**Sales & Marketing**

## Our awards:



**European Medal 2016, 2015, 2014, 2013, 2012, 2011, 2010, 2009, 2008, 2007**

European Economic and Social Committee and Business Center Club



**Diamond of FORBES Magazine 2009, 2019**



**Ambassador of Polish Economy in category:**

**Exporter, 2014**  
**XXI century solution creator, 2013**  
**Partner of foreign companies, 2012**



**Perfect Line 2009 SPA Business**



**Gazelle of Business 2008**  
**Gazelle of Business 2007**  
**Gazelle of Business 2006**



**Awards of biggest rehabilitation equipment fairs in Poland - Rehabilitacja Fairs**

**XXII Rehabilitation Fair Łódź 2014**  
**XXI Rehabilitacja Łódź 2013**  
**XVI Rehabilitacja Łódź 2008**  
**XV Rehabilitacja Łódź 2007**  
**XIV Rehabilitacja Łódź 2006**  
**XIII Rehabilitacja Łódź 2005**  
**X Rehabilitacja Łódź 2002**  
**VIII Rehabilitacja Łódź 2000**



**5th rank on the list of 100 best companies in the region**

II Euroregional Economic Presentation Szczecin 2002



**Investment of the year 2009**

Polish Federation of Engineering Associations



**Product of West Pomerania 2015, 2012, 2010, 2009**  
**Product of Pomerania 2009, 2008, 2007**

Polish Federation of Engineering Associations



**Product of Koszalin 2014, 2013, 2010, 2009, 2008, 2007, 2006**

Polish Federation of Engineering Associations



**Denar 2015**  
**Denar 2014**

Koszalin Chamber of Industry and Commerce



**Pioneer Distributor Award 2017**

Business Centre Club



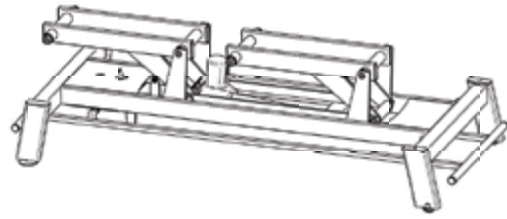
**Leader of Polish business 2016, 2017, 2019**

Business Center Club

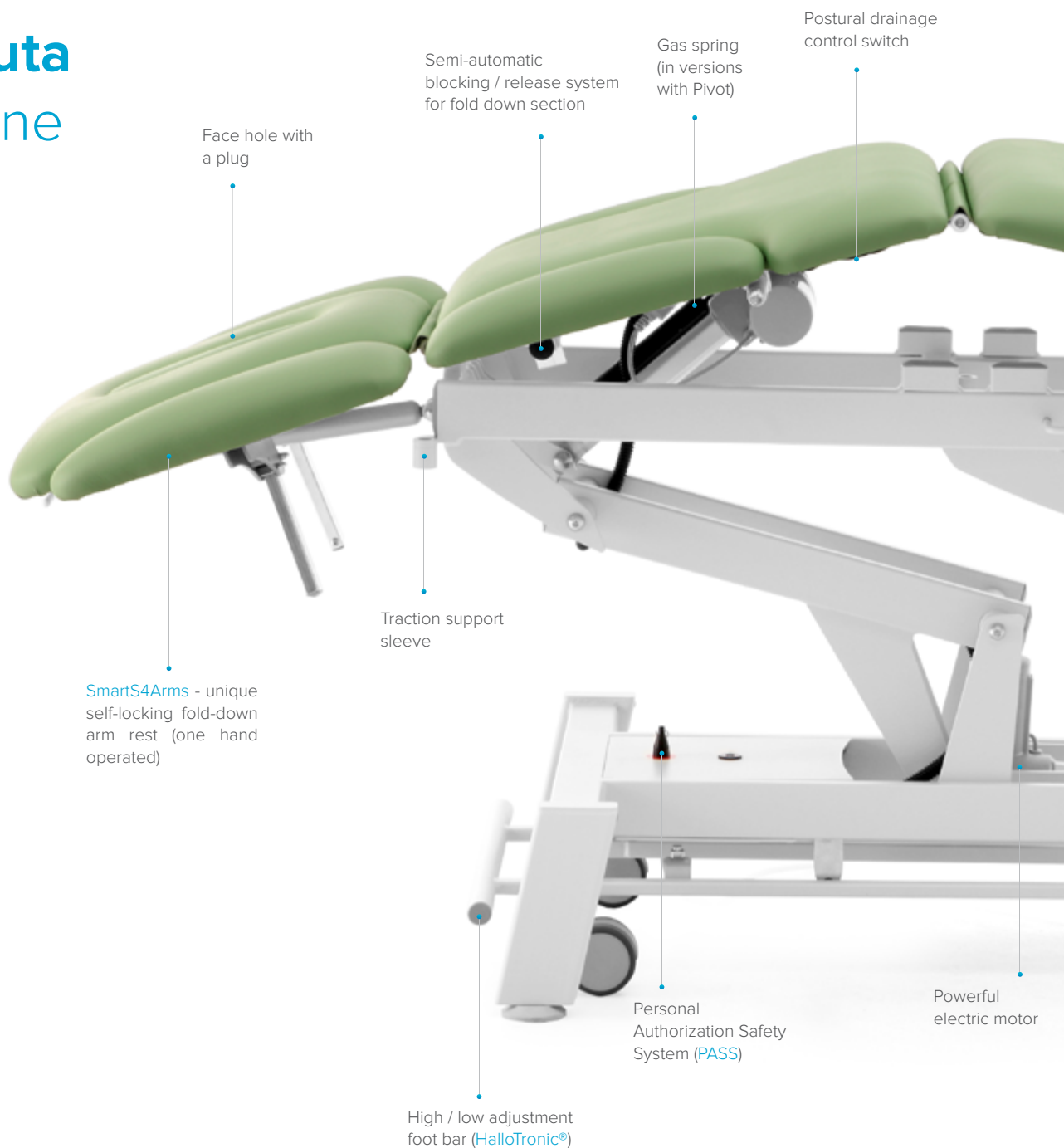
## Types of base system:

### F0

F0 system composed of 2 legs with non-slip rubber feet and 2 small wheels for moving of Prestige Table by lifting it from one side. The system is recommended for users who relocate their Prestige Table less frequently.

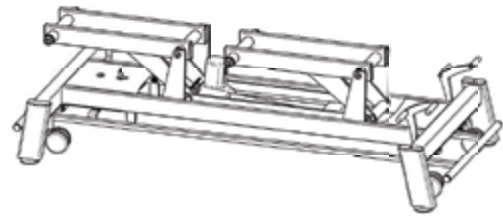
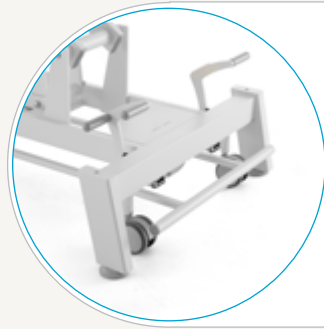


## Terapeuta Table Line



## F4

System composed of 4 directional castors with central brake allows you very easy and fast relocation of Prestige Table with or without a patient.



Side brackets for stabilization belts

Two-layer padding with non-flammable, bio-compatible and scratchproof upholstery in many colours

Special Aluminium Sliding System (only in versions with Pivot position)

Release handle for gas spring system in leg section

F4 lifting system

Non-slip foot with 1 cm height adjustment



# Years of experience

... of doctors and physiotherapists, listening to the needs of thousands of patients, our individual research and passion for innovations led to creation of a stable, **reliable and extremely functional table line** for physiotherapy and massage.

The whole Meden-Inmed Family composed of doctors and physiotherapists, patients who advised us, R&D and design teams, production and assembling crews, marketing and market analysis team, sales teams and management is proud to present you – **Terapeuta Prestige Table Line**.

You can now enjoy the **high quality and high functionality of Terapeuta Prestige Table Line**. Just choose one of Prestige Tables which will suit your needs and the needs of your patients. We care about your opinion so if you think that something should be changed or added in the current Terapeuta Prestige Table Line please let us know what you think by emailing to: [prestige@meden.com.pl](mailto:prestige@meden.com.pl)

## Unique features of Prestige Tables:

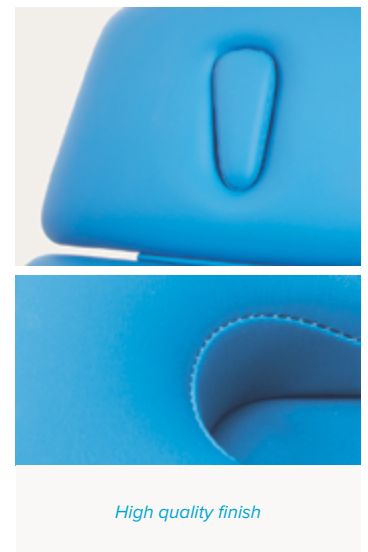
### 1. High quality upholstery!

In order to guarantee comfort of patients and high functionality for users each upholstery has a **two-layer padding** with specially selected density of foams. After years of checking various upholstery samples, one of our experts finally found an ultra-proof upholstery which is:

- Non-flammable
- Bio-compatible
- Scratchproof

The unique features of upholstery together with high durability of the powder paint used for covering the metal elements will allow you to enjoy your Terapeuta Prestige Table for many years.

There is also possibility to buy couches with extremely durable upholstery made with 100% Polyurethane (**Premium Upholstery**).



### 2. We care about your working comfort!

That's why we invented the unique **HalloTronic®** System that enables high/low height adjustment via hallotrons without the use of mechanical switches. Thanks to **HalloTronic®** System you can choose the right height of your Prestige Table without effort and noise. This solution assures the comfort of patient and comfort of work and eliminates many occupational hazards and it's symptoms (e.g. back pain after working many hours in an uncomfortable position). **HalloTronic®** System allows you to adjust height of your table with help of a foot bar from each side of your Prestige Table with just a slight movement of your foot. Enjoy the benefits of your new Prestige Table and unique features of **HalloTronic®** System:

- High/low height adjustment via electronically controlled actuator
- No noise during lifting
- Long life span
- Reliability
- Operated with minimal force by foot
- High/low height adjustment via shifting of bar, easily accessible from each side of Prestige Table

Prestige Tables ensure smooth high/low height adjustment with a powerful electric motor of 6000 N with capacity up to 225 kg.



### 3. Wheeling systems tailored to your needs!

You can choose between F0 and F4 wheeling system. F0 system composed of 2 legs and 2 small wheels allows for moving of Prestige Table by lifting it from one side. The system is recommended for users who relocate their Prestige Table less frequently. F4 system composed of 4 directional castors with central brake allows you for a very easy and fast relocation of Prestige Table with or without a patient.

### 4. Easy adjustment as you wish!

Enjoy the **easy adjustment of Prestige Table's sections** with the help of gas springs. Ergonomically located and designed release handles **allow you to adjust sections of your Prestige Table the way you need** practically without any effort and with one hand. Choose postural drainage (pivot) option to allow for easy positioning of the patient in order to perform better. You are able to adjust the postural drainage via an electronically controlled actuator by easily accessible two postural drainage control switches from both sides of your Prestige Table. Specially invented and protected **Special Aluminium Sliding System (SASS)** in Prestige Tables with postural drainage option increases the stability of leg section and allows for smooth and easy section adjustment. Unique self-locking fold-down arm rest (SmartS4Arms) for a very easy (one hand operated) adjustment.



### 5. Guarantee your practice the ultimate safety!

All Prestige Tables have an integrated electronic control unit allowing for height adjustment and adjustment of the postural drainage option with an indication of stand-by mode (green light) and **Personal Authorization Safety System (PASS)**. Each Prestige Table is equipped with two magnetic safety keys (PASS Keys) in order to prevent unauthorized use of a table which may lead to severe accidents and compensation claims. What is more, all Prestige Tables have a **special safety system** that prevents table from folding down in case of power shortage or actuator damage.

Tables are manufactured in conformity with the certified quality management system: ISO 13485:2003.

### 6. The devil is in the details!

All details of Prestige Tables are designed to help you in the therapy and leverage your business with their functionality, durability and great design. It is physiotherapists and other professionalists that helped us in design of **semi-automatic blocking/release system for fold-down side sections, comfortable arm rests and ergonomic table top** allowing for an easy access to the patient. Prestige Tables have side brackets which allow for a fixation of the patient with belts or attachment of exercise bands. **Non-slip feet** increase the stability. And it is patients who contributed to the **anatomical design of the face hole**. We covered screws and other protruding elements with unobtrusive plastic covers.

### 7. We care about the production process!

All frames are welded automatically by high quality robotic system, which makes Prestige Tables **very stable and resistant over years**. Metal parts are being covered using the most advanced technological processes in a modern powder painting line. This means that you will enjoy the high quality of your Prestige Table for years and the maintenance (e.g. cleaning) will be a pleasure.

**For more information about each of the Prestige Tables please look at the product sheets or contact us.**





# Terapeuta Prestige M-S2 | 2-section table



 Box dimensions: **220 x 85 x 75 cm** Weight: **+50 kg**

 Length: **202 cm**

 Height: **47-95 cm**

 Width: **69 cm**

 Weight: **80/95 kg**

 Max load: **225 kg**

## Features:

- 2-section massage and treatment table
- Adjustable head section from  $-70^{\circ}$  to  $+40^{\circ}$  with a gas spring
- Face hole in the head section with a removable face hole cover
- Two-layer padding with non-flammable, bio-compatible and scratchproof upholstery in many colours
- Powder coated, extremely stable steel frame
- 2 side brackets for fixation of stabilization belts and elastic bands
- Traction support sleeves
- Personal Authorization Safety System with 2 safety magnetic keys
- HalloTronic® System for electric high/low height adjustment from 47 to 95 cm with a capacity up to 225 kg
- Powder coated steel high/low height adjustment foot bar accessible from each side of the table
- Non-slip rubber feet with 1 cm height adjustment allowing for the levelling of the table

## Additional option:

- Built-in adjustable surface heating system
- Upholstery of 80 mm thickness

”

*I've been using several types of Meden-Inmed's Tables for over 15 years and I do recommend them. I value their quality and design. I appreciate the care of the manufacturer about the ergonomics of my work. I like the flexibility they give with all the adjustments they have. The lack of noise and stable work of motors and gas springs give my patients and me the comfort. I recommend Meden-Inmed's Tables.*

**Lech Wojdyła**

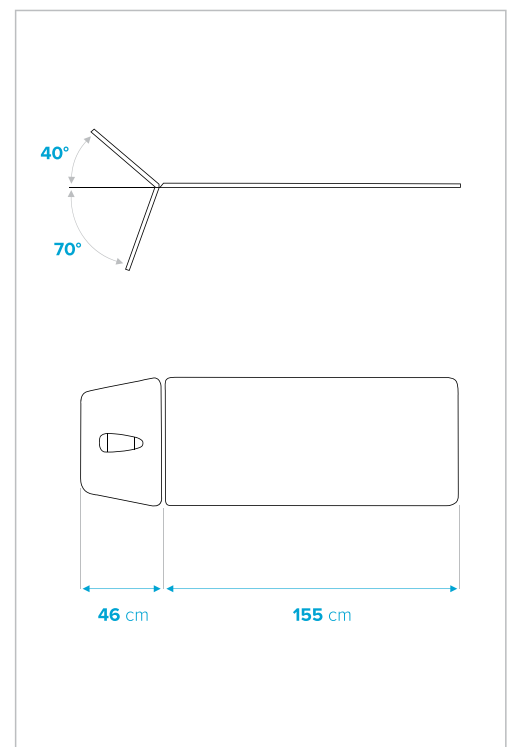
Neurac Instructor

## Ordering information:

**M-S2.F0:** 2-section massage and treatment table with basic wheeling system composed of 2 small wheels and 2 legs with non-slip rubber feet.

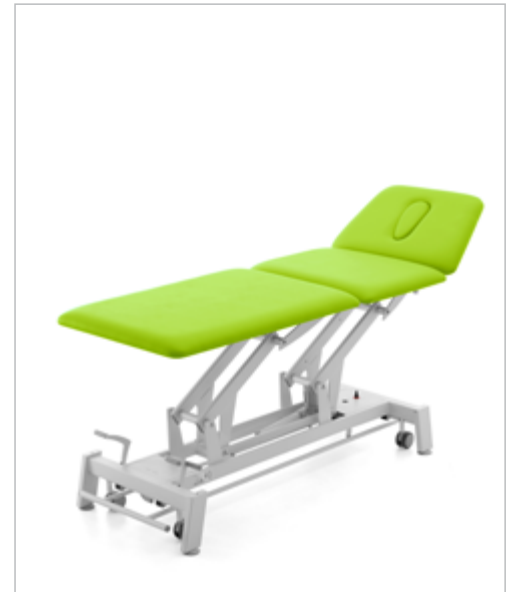
**M-S2.F4:** 2-section massage and treatment table with dual-lever retractable castor wheeling system composed of 4 directional castors with central brake and 4 legs with non-slip rubber feet.

## Table articulations:



# Terapeuta Prestige M-S3

3-section table



Box dimensions: **220 x 85 x 75 cm** Weight: **+50 kg**



Length: **202 cm**



Height: **47-95 cm**



Width: **69 cm**



Weight: **85/100 kg**



Max load: **225 kg**

## Features:

- 3-section massage and treatment table
- Adjustable head section from  $-70^{\circ}$  to  $+40^{\circ}$  with a gas spring
- Face hole in the head section with a removable face hole cover
- Adjustable leg section from  $0^{\circ}$  to  $85^{\circ}$  with 2 gas springs
- Release handle of the gas spring system in the leg section accessible from both sides of the table
- Two-layer padding with non-flammable, bio-compatible and scratchproof upholstery in many colours
- Powder coated, extremely stable steel frame
- 2 side brackets for the fixation of stabilization belts and elastic bands
- Traction support sleeves
- Personal Authorization Safety System with 2 safety magnetic keys
- HalloTronic® System for electric high/low height adjustment from 47 to 95 cm with a capacity up to 225 kg
- Powder coated steel high/low height adjustment foot bar accessible from each side of the table
- Non-slip rubber feet with 1 cm height adjustment allowing for the levelling of the table

## Additional option:

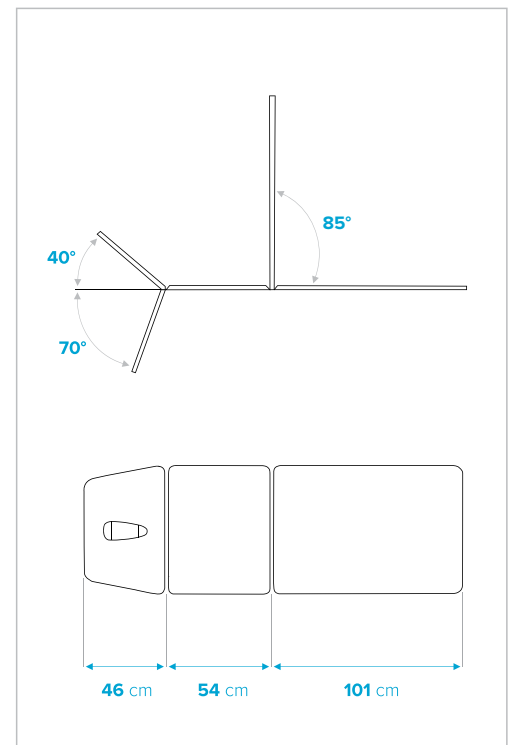
- Built-in adjustable surface heating system
- Upholstery of 80 mm thickness

## Ordering information:

**M-S3.F0:** 3-section massage and treatment table with basic wheeling system composed of 2 small wheels and 2 legs with non-slip rubber feet.

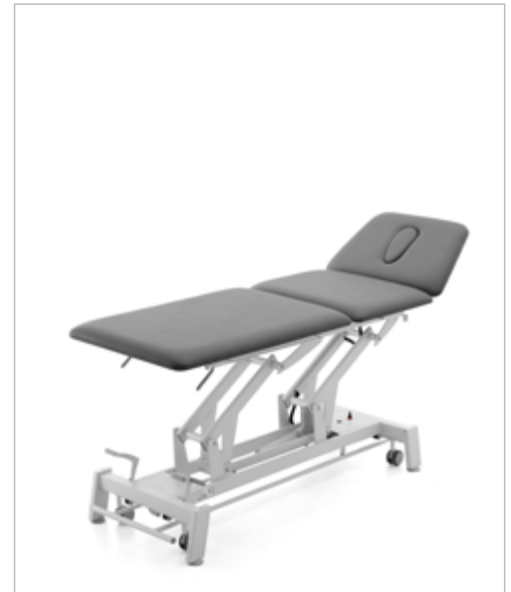
**M-S3.F4:** 3-section massage and treatment table with dual-lever retractable castor wheeling system composed of 4 directional castors with central brake and 4 legs with non-slip rubber feet.

## Table articulations:







# Terapeuta Prestige M-P3 | 3-section table




 Box dimensions: **220 x 85 x 75 cm** Weight: **+50 kg**

 Length: **205 cm**

 Height: **51-99 cm**

 Width: **69 cm**

 Weight: **95/110 kg**

 Max load: **225 kg**

## Features:

- 3-section massage and treatment table with the postural drainage setting
- Postural drainage with an electric motor operated by 2 switches from both sides of the table
- Adjustable head section from  $-70^{\circ}$  to  $+40^{\circ}$  with a gas spring
- Face hole in the head section with a removable face hole cover
- Additional gas spring in middle section
- Adjustable leg section from  $0^{\circ}$  to  $85^{\circ}$  with a gas spring
- Special Aluminium Sliding System for extra stability of the leg section
- Release handle of the gas spring system in the leg section accessible from both sides of the table
- Two-layer padding with non-flammable, bio-compatible and scratchproof upholstery in many colours
- Powder coated, extremely stable steel frame
- 2 side brackets for the fixation of stabilization belts and elastic bands
- Traction support sleeves
- Personal Authorization Safety System with 2 magnetic safety keys
- HalloTronic® System for electric high/low height adjustment from 51 to 99 cm with a capacity up to 225 kg
- Powder coated steel high/low height adjustment foot bar accessible from each side of the table
- Non-slip rubber feet with 1 cm height adjustment allowing for the levelling of the table

## Additional option:

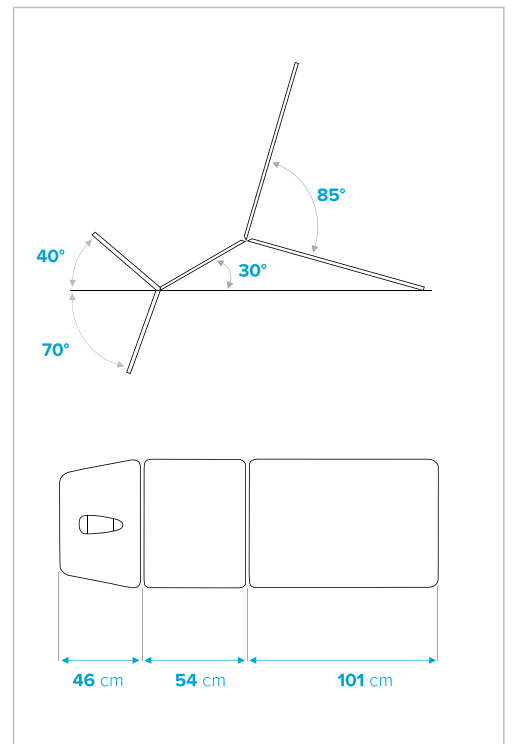
- Built-in adjustable surface heating system
- Upholstery of 80 mm thickness

## Ordering information:

**M-P3.F0:** 3-section massage and treatment table with basic wheeling system composed of 2 small wheels and 2 legs with non-slip rubber feet.

**M-P3.F4:** 3-section massage and treatment table with dual-lever retractable castor wheeling system composed of 4 directional castors with central brake and 4 legs with non-slip rubber feet.

## Table articulations:




# Terapeuta Prestige M-S4

4-section table



 Box dimensions: **220 x 85 x 75 cm** Weight: **+50 kg**

 Length: **202 cm**

 Height: **47-95 cm**

 Width: **69 cm**

 Weight: **87/102 kg**

 Max load: **225 kg**

## Features:

- 4-section massage and treatment table
- Adjustable head section from -70° to +40° with a gas spring
- Face hole in the head section with a removable face hole cover
- Innovative self-locking fold-down arm rests in head section (one hand operated) - SmartS4Arms (Smart Slide For Arms)
- Two-layer padding with non-flammable, bio-compatible and scratchproof upholstery in many colours
- Powder coated, extremely stable steel frame
- 2 side brackets for the fixation of stabilization belts and elastic bands
- Traction support sleeves
- Personal Authorization Safety System with 2 magnetic safety keys
- HalloTronic® System for electric high/low height adjustment from 47 to 95 cm with a capacity up to 225 kg
- Powder coated steel high/low height adjustment foot bar accessible from each side of the table
- Non-slip rubber feet with 1 cm height adjustment allowing for the levelling of the table

## Additional option:

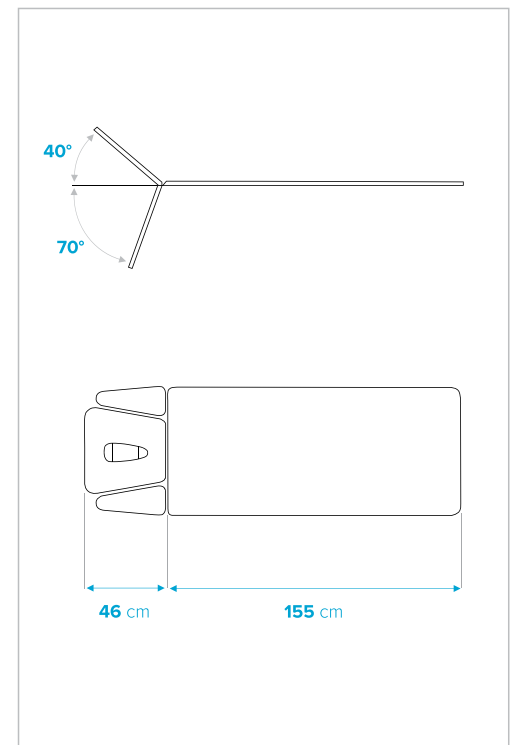
- Built-in adjustable surface heating system
- Upholstery of 80 mm thickness

## Ordering information:

**M-S4.F0:** 4-section massage and treatment table with basic wheeling system composed of 2 small wheels and 2 legs with non-slip rubber feet.

**M-S4.F4:** 4-section massage and treatment table with dual-lever retractable castor wheeling system composed of 4 directional castors with central brake and 4 legs with non-slip rubber feet.

## Table articulations:



# Terapeuta Prestige M-S5

5-section table



Box dimensions: **220 x 85 x 75 cm** Weight: **+50 kg**



Length: **205 cm**



Height: **47-95 cm**



Width: **69 cm**



Weight: **92/107 kg**



Max load: **225 kg**

## Features:

- 5-section massage and treatment table
- Adjustable head section from  $-70^{\circ}$  to  $+40^{\circ}$  with a gas spring
- Face hole in the head section with a removable face hole cover
- Innovative self-locking fold-down arm rests in head section (one hand operated) - SmartS4Arms (Smart Slide For Arms)
- Adjustable leg section from  $0^{\circ}$  to  $85^{\circ}$  with 2 gas springs
- Release handle of the gas spring system in the leg section accessible from both sides of the table
- Two-layer padding with non-flammable, bio-compatible and scratchproof upholstery in many colours
- Powder coated, extremely stable steel frame
- 2 side brackets for the fixation of stabilization belts and elastic bands
- Personal Authorization Safety System with 2 magnetic safety keys
- HalloTronic® System for electric high/low height adjustment from 47 to 95 cm with a capacity up to 225 kg
- Powder coated steel high/low height adjustment foot bar accessible from each side of the table
- Non-slip rubber feet with 1 cm height adjustment allowing for the levelling of the table

## Additional option:

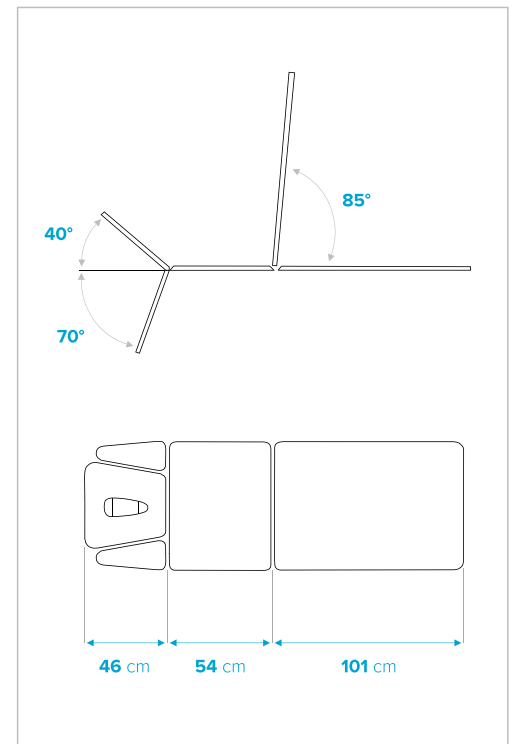
- Built-in adjustable surface heating system
- Upholstery of 80 mm thickness

## Ordering information:

**M-S5.F0:** 5-section massage and treatment table with basic wheeling system composed of 2 small wheels and 2 legs with non-slip rubber feet.

**M-S5.F4:** 5-section massage and treatment table with dual-lever retractable castor wheeling system composed of 4 directional castors with central brake and 4 legs with non-slip rubber feet.

## Table articulations:



# Terapeuta Prestige M-P5

5-section table




 Box dimensions: **220 x 85 x 75 cm** Weight: **+50 kg**

 Length: **205 cm**

 Height: **51-99 cm**

 Width: **69 cm**

 Weight: **102/117 kg**

 Max load: **225 kg**

## Features:

- 5-section massage and treatment table with postural drainage setting
- Postural drainage with an electric motor operated by 2 switches from both sides of the table
- Adjustable head section from -70° to +40° with a gas spring
- Face hole in the head section with a removable face hole cover
- Innovative self-locking fold-down arm rests in head section (one hand operated) - SmartS4Arms (Smart Slide For Arms)
- Additional gas spring in middle section
- Adjustable leg section from 0° to 85° with a gas spring
- Special Aluminium Sliding System for extra stability of leg section
- Release handle of the gas spring system in the leg section accessible from both sides of the table
- Two-layer padding with non-flammable, bio-compatible and scratchproof upholstery in many colours
- Powder coated, extremely stable steel frame
- 2 side brackets for the fixation of stabilization belts and elastic bands
- Personal Authorization Safety System with 2 magnetic safety keys
- HalloTronic® System for electric high/low height adjustment from 51 to 99 cm with a capacity up to 225 kg
- Powder coated steel high/low height adjustment foot bar accessible from each side of the table
- Non-slip rubber feet with 1 cm height adjustment allowing for the levelling of the table

## Additional option:

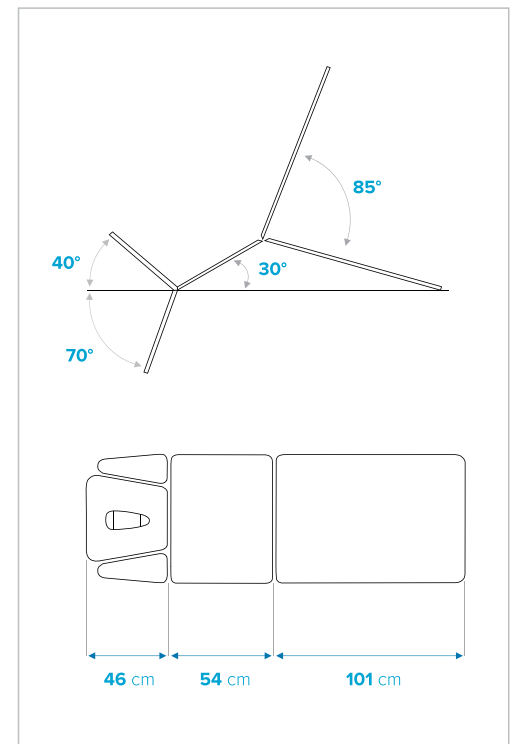
- Built-in adjustable surface heating system
- Upholstery of 80 mm thickness

## Ordering information:

**M-P5.F0:** 5-section massage and treatment table with basic wheeling system composed of 2 small wheels and 2 legs with non-slip rubber feet.

**M-P5.F4:** 5-section massage and treatment table with dual-lever retractable castor wheeling system composed of 4 directional castors with central brake and 4 legs with non-slip rubber feet.

## Table articulations:




# Terapeuta Prestige M-S7


7-section table




 Box dimensions: **220 x 85 x 75 cm** Weight: **+50 kg**

 Length: **205 cm**

 Height: **47-95 cm**

 Width: **69 cm**

 Weight: **95/110 kg**

 Max load: **225 kg**

## Features:

- 7-section massage and treatment table
- Adjustable head section from  $-70^{\circ}$  to  $+40^{\circ}$  with a gas spring
- Face hole in the head section with a removable face hole cover
- Fold-down side sections in the middle section with a semi-automatic blocking/release system
- Innovative self-locking fold-down arm rests in head section (one hand operated) - SmartS4Arms (Smart Slide For Arms)
- Adjustable leg section from  $0^{\circ}$  to  $85^{\circ}$  with a gas spring
- Release handle of the gas spring system in the leg section accessible from both sides of the table
- Two-layer padding with non-flammable, bio-compatible and scratchproof upholstery in many colours
- Powder coated, extremely stable steel frame
- 2 side brackets for the fixation of stabilization belts and elastic bands
- Traction support sleeves
- Personal Authorization Safety System with 2 magnetic safety keys
- HalloTronic® System for electric high/low height adjustment from 47 to 95 cm with a capacity up to 225 kg
- Powder coated steel high/low height adjustment foot bar accessible from each side of the table
- Non-slip rubber feet with 1 cm height adjustment allowing for the levelling of the table

## Additional option:

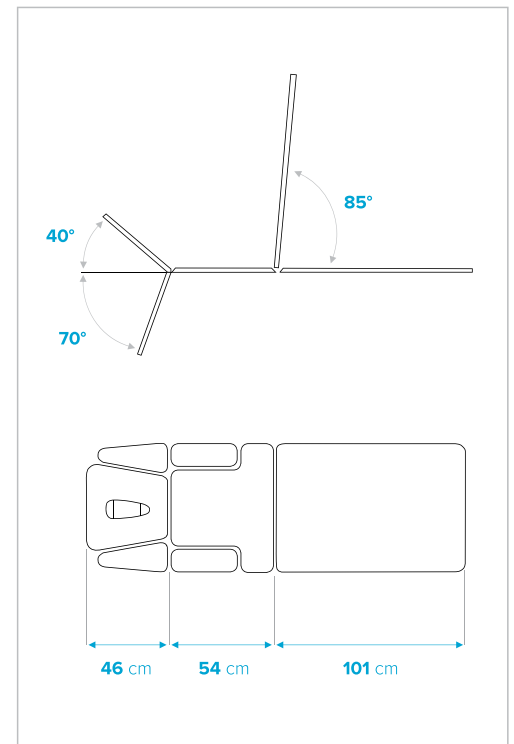
- Built-in adjustable surface heating system
- Upholstery of 80 mm thickness

## Ordering information:

**M-S7.F0:** 7-section massage and treatment table with basic wheeling system composed of 2 small wheels and 2 legs with non-slip rubber feet.

**M-S7.F4:** 7-section massage and treatment table with dual-lever retractable castor wheeling system composed of 4 directional castors with central brake and 4 legs with non-slip rubber feet.

## Table articulations:




# Terapeuta Prestige M-P7


7-section table



 Box dimensions: **220 x 85 x 75 cm** Weight: **+50 kg**

 Length: **205 cm**

 Height: **51-99 cm**

 Width: **69 cm**

 Weight: **105/120 kg**

 Max load: **225 kg**

## Features:

- 7-section massage and treatment table with a postural drainage setting
- Postural drainage with an electric motor operated by 2 switches from both sides of the table
- Adjustable head section from -70° to +40° with a gas spring
- Face hole in the head section with a removable face hole cover
- Innovative self-locking fold-down arm rests in head section (one hand operated) - SmartS4Arms (Smart Slide For Arms)
- Adjustable leg section from 0° to 85° with a gas spring
- Fold-down side sections in the middle section with a semi-automatic blocking/release system
- Additional gas spring in the middle section
- Adjustable leg section from 0° to 85° with a gas spring
- Special Aluminium Sliding System for extra stability of leg section
- Release handle of the gas spring system in the leg section accessible from both sides of the table
- Two-layer padding with non-flammable, bio-compatible and scratchproof upholstery
- Powder coated, extremely stable steel frame
- 2 side brackets for the fixation of stabilization belts and elastic bands
- Traction support sleeves
- Personal Authorization Safety System with 2 magnetic safety keys
- HalloTronic® System for electric high/low height adjustment from 51 to 99 cm with a capacity up to 225 kg
- Powder coated steel high/low height adjustment foot bar accessible from each side of the table
- Non-slip rubber feet with 1 cm height adjustment allowing for the levelling of the table

## Additional option:

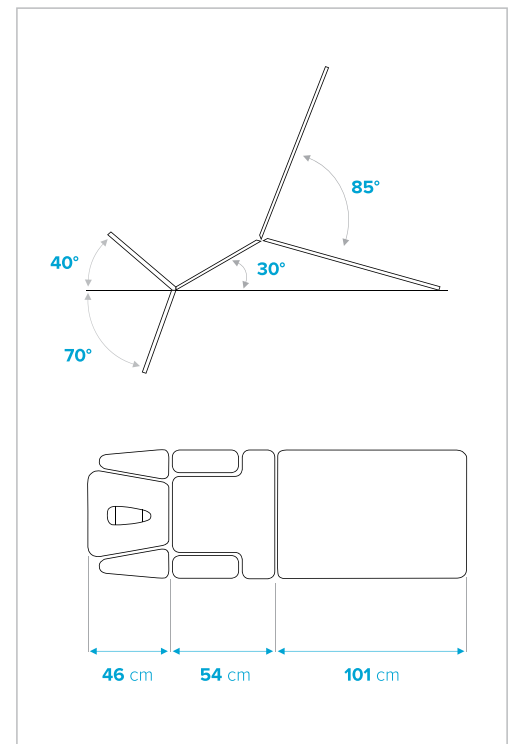
- Built-in adjustable surface heating system
- Upholstery of 80 mm thickness

## Ordering information:

**M-P7.F0:** 7-section massage and treatment table with basic wheeling system composed of 2 small wheels and 2 legs with non-slip rubber feet.

**M-P7.F4:** 7-section massage and treatment table with dual-lever retractable castor wheeling system composed of 4 directional castors with central brake and 4 legs with non-slip rubber feet.


## Table articulations:



# Terapeuta Prestige M-P7.F4 | 7-section table on large castors



 Box dimensions: **220 x 85 x 75 cm** Weight: **+50 kg**

 Length: **205 cm**

 Height: **53-101 cm**

 Width: **69 cm**

 Weight: **120 kg**

 Max load: **225 kg**

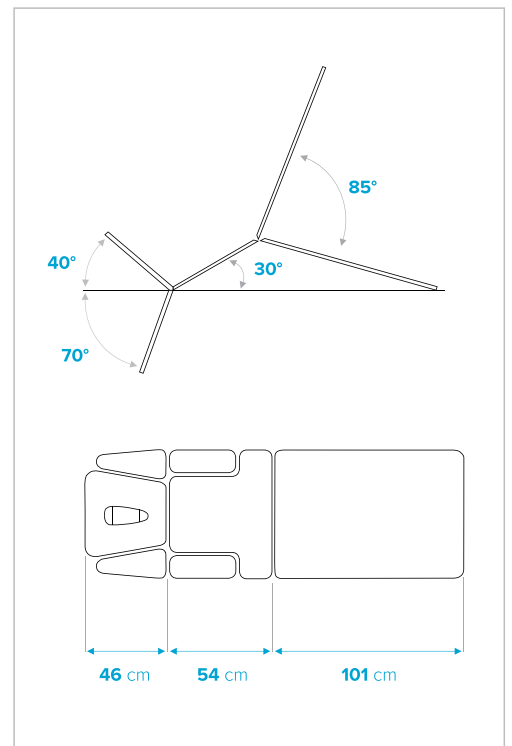
## Features:

- Postural drainage with an electric motor operated by 2 switches from both sides of the table
- Adjustable head section from  $-70^{\circ}$  to  $+40^{\circ}$  with a gas spring
- Face hole in the head section with a removable face hole cover
- Innovative self-locking fold-down arm rests in head section (one hand operated) - SmartS4Arms (Smart Slide For Arms)
- Adjustable leg section from  $0^{\circ}$  to  $85^{\circ}$  with a gas spring
- Fold-down side sections in the middle section with a semi-automatic blocking/release system
- Additional gas spring in the middle section
- Adjustable leg section from  $0^{\circ}$  to  $85^{\circ}$  with a gas spring
- Special Aluminium Sliding System for extra stability of leg section
- Release handle of the gas spring system in the leg section accessible from both sides of the table
- Two-layer padding with non-flammable, bio-compatible and scratchproof upholstery
- 2 side brackets for the fixation of stabilization belts and elastic bands
- Personal Authorization Safety System with 2 magnetic safety keys
- HalloTronic® System for electric high/low height adjustment from 53 to 101 cm with a capacity up to 225 kg
- Powder coated steel high/low height adjustment foot bar accessible from each side of the table
- Castor wheeling system composed of 4 large castors (10 cm diameter) with central brake

## Additional option:

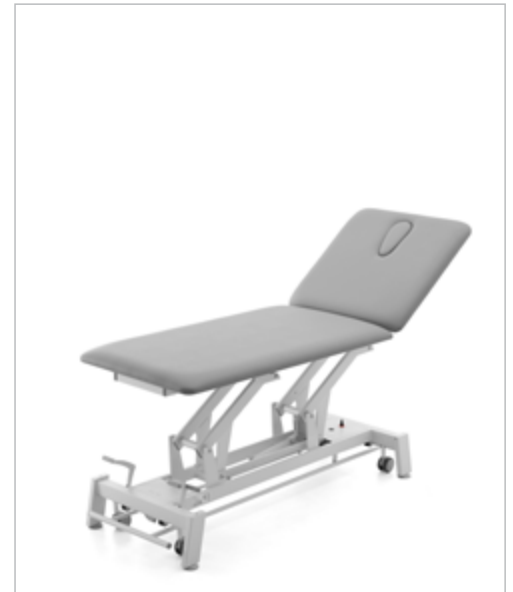
- Built-in adjustable surface heating system
- Upholstery of 80 mm thickness

## Table articulations:




# Terapeuta Prestige E-S2

2-section table



 Box dimensions: **220 x 85 x 75 cm** Weight: **+50 kg**

 Length: **205 cm**

 Height: **47-95 cm**

 Width: **69 cm**

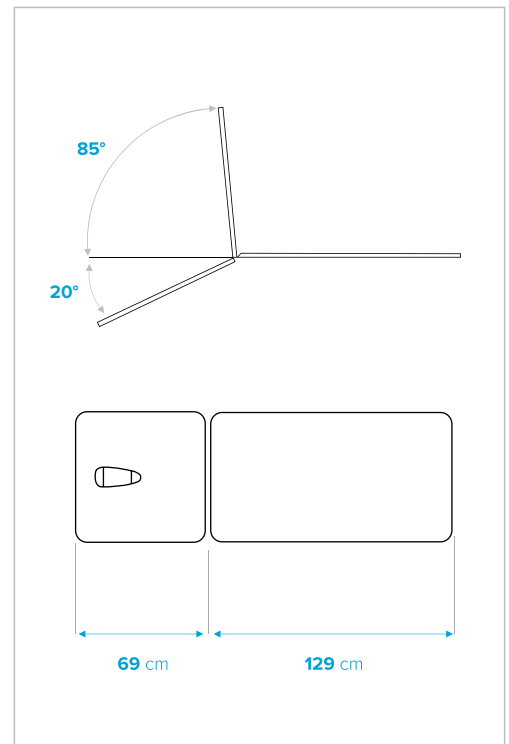
 Weight: **80/95 kg**

 Max load: **225 kg**

## Features:

- 2-section massage and treatment table with a long head section
- Adjustable long head section from  $-20^{\circ}$  to  $+85^{\circ}$  with 2 gas springs
- Face hole in the head section with a removable face hole cover
- Two-layer padding with non-flammable, bio-compatible and scratchproof upholstery in many colours
- Powder coated, extremely stable steel frame
- Optional 2 side brackets for the fixation of stabilization belts and elastic bands or 2 retractable side railings for fall prevention
- Personal Authorization Safety System with 2 safety magnetic keys
- HalloTronic® System for electric high/low height adjustment from 47 to 95 cm with a capacity up to 225 kg
- Powder coated steel high/low height adjustment foot bar accessible from each side of the table
- Non-slip rubber feet with 1 cm height adjustment allowing for the levelling of the table

## Table articulations:



## Ordering information:

**E-S2.F0:** 2-section massage and treatment table with basic wheeling system composed of 2 small wheels and 2 legs with non-slip rubber feet.

**E-S2.F4:** 2-section massage and treatment table with dual-lever retractable castor wheeling system composed of 4 directional castors with central brake and 4 legs with non-slip rubber feet.







# Terapeuta Prestige O-S5


5-section osteopathy and manual therapy table




 Box dimensions: **220 x 85 x 75 cm** Weight: **+50 kg**

 Length: **205 cm**

 Height: **47-95 cm**

 Width: **59 cm**

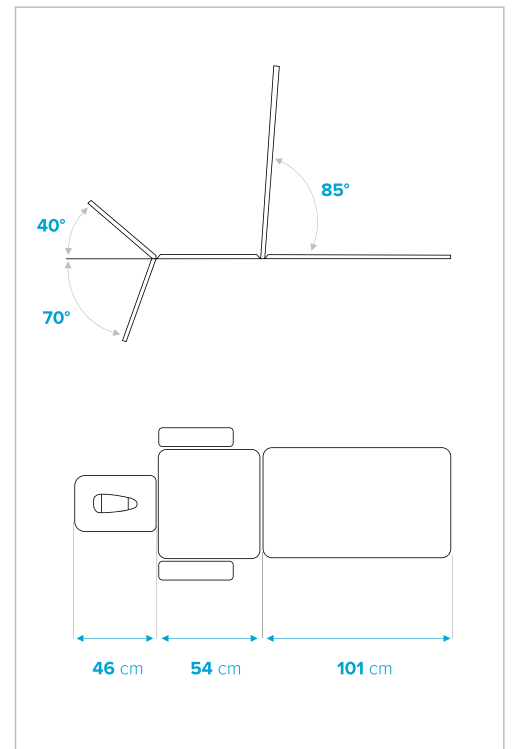
 Weight: **92/107 kg**

 Max load: **225 kg**

## Features:

- 5-section osteopathy and manual therapy table
- Narrow (31 cm), adjustable head section from  $-70^{\circ}$  to  $+40^{\circ}$  with gas spring
- Face hole in the head section with a removable face hole cover
- Fold-down side sections allowing broadening of middle section if necessary
- Adjustable leg section from  $0^{\circ}$  to  $+85^{\circ}$  with 2 gas springs
- Release handle of the gas spring system in the leg section accessible from both sides of the table
- Two-layer padding with non-flammable, bio-compatible and scratchproof upholstery in many colours
- Powder coated, extremely stable steel frame
- 2 side brackets for fixation of stabilization belts and elastic bands
- Traction support sleeves
- Personal Authorization Safety System with 2 magnetic safety keys
- HalloTronic® System for electric high/low height adjustment from 47 to 95 cm with a capacity up to 225 kg
- Powder coated steel high/low height adjustment foot bar accessible from each side of the table
- Non-slip rubber feet with 1 cm height adjustment allowing for the levelling of the table
- Ergonomic design

## Table articulations:



## Ordering information:

**O-S5.F0:** 5-section massage and treatment table with basic wheeling system composed of 2 small wheels and 2 legs with non-slip rubber feet.


**O-S5.F4:** 5-section massage and treatment table with dual-lever retractable castor wheeling system composed of 4 directional castors with central brake and 4 legs with non-slip rubber feet.

# Terapeuta Prestige O-P5

5-section osteopathy and manual therapy table with postural drainage



 Box dimensions: **220 x 85 x 75 cm** Weight: **+50 kg**

 Length: **205 cm**

 Height: **51-99 cm**

 Width: **59 cm**

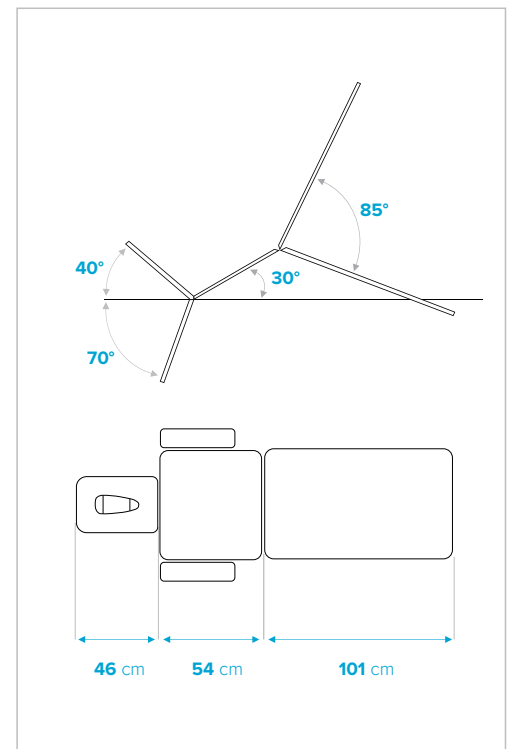
 Weight: **102/117 kg**

 Max load: **225 kg**

## Features:

- 5-section osteopathy and manual therapy table with the postural drainage setting
- Postural drainage with electric motor operated by 2 switches from both sides of the table
- Narrow (31 cm), adjustable head section from -70° to +40° with gas spring
- Face hole in the head section with a removable face hole cover
- Fold-down side sections allowing for the broadening of middle section if necessary
- Additional gas spring in the middle section
- Adjustable leg section from 0° to +85° with 2 gas springs
- Special Aluminium Sliding System for extra stability of leg section
- Release handle of the gas spring system in the leg section accessible from both sides of the table
- Two-layer padding with non-flammable, bio-compatible and scratchproof upholstery in many colours
- Powder coated, extremely stable steel frame
- 2 side brackets for the fixation of stabilization belts and elastic bands
- Traction support sleeves
- Personal Authorization Safety System with 2 magnetic safety keys
- HalloTronic® System for electric high/low height adjustment from 51 to 99 cm with a capacity up to 225 kg
- Powder coated steel high/low height adjustment foot bar accessible from each side of the table
- Non-slip rubber feet with 1 cm height adjustment allowing for the levelling of the table
- Ergonomic design

## Table articulations:



## Ordering information:

**O-P5.F0:** 5-section table for osteopathy and manual therapy with basic wheeling system composed of 2 small wheels and 2 legs with non-slip rubber feet.

**O-P5.F4:** 5-section table for osteopathy and manual therapy with dual-lever retractable castor wheeling system composed of 4 directional castors with central brake and 4 legs with non-slip rubber feet.



# Terapeuta Prestige Line



## Technical data:

	M-S2	M-S3	M-P3	M-S4	M-S5	M-P5	M-S7	M-P7	E-S2	O-S5	O-P5
Dimensions (length x width) [cm]:	202 x 69	205 x 69	205 x 69	202 x 69	205 x 69	205 x 69	205 x 69	205 x 69	205 x 69	205 x 59	205 x 59
Number of sections:	2	3	3	4	5	5	7	7	2	5	5
Head-rest inclination angle [°]:	-70/+40	-70/+40	-70/+40	-70/+40	-70/+40	-70/+40	-70/+40	-70/+40	-20/+85	-70/+40	-70/+40
Middle section inclination angle [°]:	-	-	0/+30	--	-	0/+30	-	0/+30	-	-	0/+30
Foot-rest inclination angle [°]:	-	0/+85	-30/+85	-	0/+85	-30/+85	0/+85	-30/+85	-	0/+85	-30/+85
Height adjustment [cm]:	47-95	47-95	51-99	47-95	47-95	51-99	47-95	51-99	47-95	47-95	51-99
Weight FO/F4 [kg]:	80/95	85/100	95/110	87/102	92/107	102/117	95/110	105/120	80/95	92/107	102/117
Max. lifting capacity [kg]:	225	225	225	225	225	225	225	225	225	225	225
Power supply [V/Hz]:	230/50	230/50	230/50	230/50	230/50	230/50	230/50	230/50	230/50	230/50	230/50
Max. working load [kg]:	350	350	350	350	350	350	350	350	350	350	350



Powerful electric motor



Adjustment of postural drainage



Breathing slot shaped to place the nose and chin




Personal Authorization Safety System (PASS)



Non-slip feet with 1 cm height adjustment

# Matador S2 | Massage and treatment table




 Box dimensions: **220 x 85 x 75 cm** Weight: **+50 kg**

 Length: **205 cm**

 Height: **48-95 cm**

 Width: **69 cm**

 Weight: **60 kg**

 Max load: **160 kg**

Massage and treatment table **Matador** is a perfect choice for massage, kinesiotherapy and physical therapy.

Lightweight, durable, powder-painted steel frame with the upholstery made from top-quality artificial leather in many colours ensures reliability and convenience in therapist's daily work. Massage and treatment table **Matador** is an excellent combination of high quality and low price. This makes it good solution for massage parlours, rehabilitation centers and physical therapy units.

## Features:

- 2-section, massage and treatment table
- Lightweight and stable construction
- Electric height adjustment with manual remote control
- Adjustable headrest from -70° to +40° with a gas spring, with a face hole
- Non-slip rubber feet and 2 small wheels for moving of Matador table by lifting it from one side
- Non-flammable, bio-compatible and scratchproof upholstery of highest quality and functionality; wide range of upholstery colours

## Technical data:

Height adjustment [cm]:	48-95
Dimensions (length x width) [cm]:	205 x 69
Weight [kg]:	60
Maximum load [kg]:	160
Paper roll width [cm]:	60
Power supply [V/Hz]:	230/50

## Available models:

**Matador S1:** 1-section massage and treatment table with basic wheeling system F0 composed of 2 small wheels and 2 legs with non-slip rubber feet.

**Matador S3:** 3-section massage and treatment table with basic wheeling system F0 composed of 2 small wheels and 2 legs with non-slip rubber feet.

## Additional accessories:

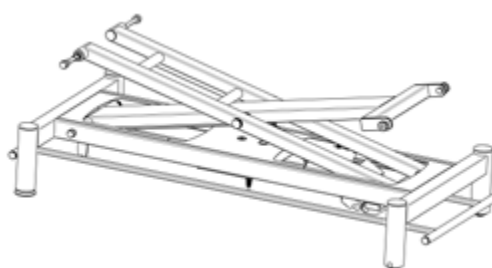
- Lifter F2 frame (2 castors)
- Paper roll holder
- Face hole plug
- Traction support



## Types of base system:

### F0

F0 system composed of 2 legs with non-slip rubber feet and 2 small wheels for moving of Safari Table by lifting it from one side. The system is recommended for users who relocate their Safari Table less frequently.

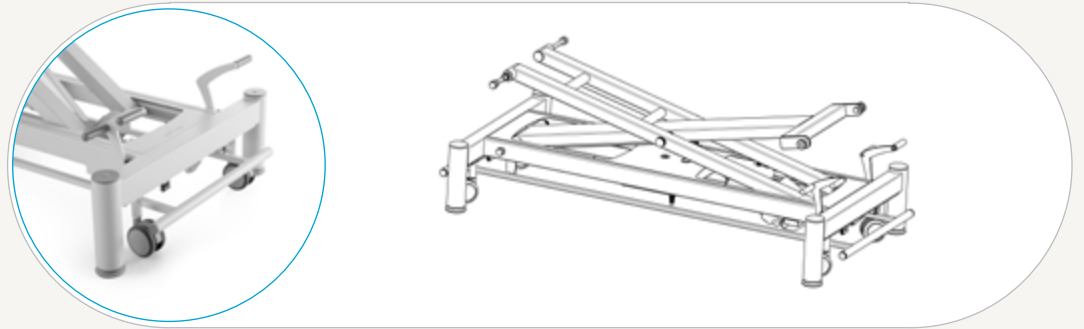


## Safari Table Line



## F4

System composed of 4 directional castors with central brake allows you very easy and fast relocation of Safari Table with or without a patient.



2 side brackets for fixation of stabilization belts and elastic bands

Two-layer padding with non-flammable, bio-compatible and scratchproof upholstery in many colours



Personal Authorization Safety System (PASS)

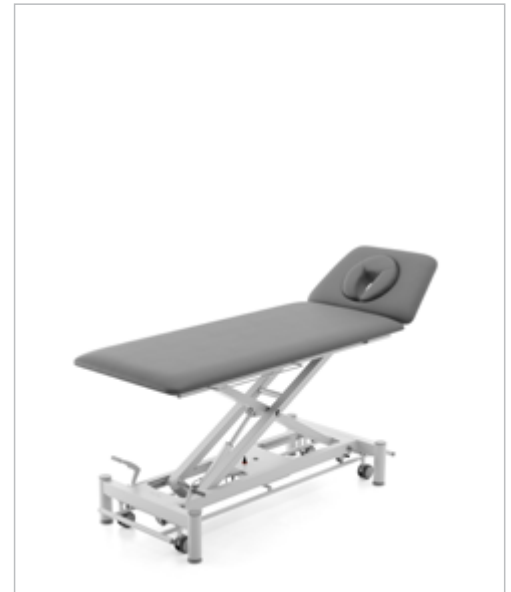
Powerful electric motor

Non-slip foot with 1 cm height adjustment



# Safari Puma S2


2-section massage and treatment table



 Box dimensions: **220 x 85 x 75 cm** Weight: **+50 kg**

 Length: **202 cm**

 Height: **52-93 cm**

 Width: **69 (80) cm**

 Weight: **86/99 kg**

 Max load: **200 kg**

## Features:

- 2-section massage and treatment table with modern design
- Width of table top: 69 or 80 cm
- Adjustable head section from -70° to +40° with a gas spring
- Round face hole in the head section with a removable face hole cover which increases patient's comfort (2 types of cover: round and crescent)
- Two-layer padding with non-flammable, bio-compatible and scratchproof upholstery in many colours
- Powder coated, stable scissor steel frame
- 2 side brackets for the fixation of stabilization belts and elastic bands
- Traction support sleeves
- Personal Authorization Safety System with 2 magnetic safety keys
- HalloTronic® System electric high/low height adjustment from 52 to 93 cm with a capacity up to 200 kg
- Powder coated steel high/low height adjustment foot bar accessible from each side of the table
- Non-slip rubber feet with 1 cm height adjustment allowing for the levelling of the table

## Additional option:

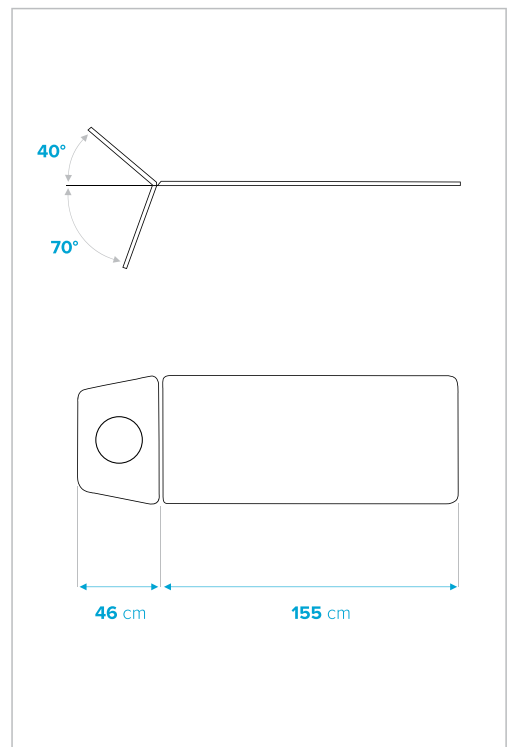
- Built-in surface heating system of table top (Comfort option)
- Upholstery of 80 mm thickness

## Ordering information:

**S2.F0:** 2-section massage and treatment table with basic wheeling system composed of 2 small wheels and 2 legs with non-slip rubber feet.

**S2.F4:** 2-section massage and treatment table with dual-lever retractable castor wheeling system composed of 4 directional castors with central brake and 4 legs with non-slip rubber feet.

## Table articulations:



# Safari Puma S4

4-section massage and treatment table



Box dimensions: **220 x 85 x 75 cm** Weight: **+50 kg**

Length: **202 cm**

Height: **52-93 cm**

Width: **69 (80) cm**

Weight: **89/102 kg**

Max load: **200 kg**

## Features:

- 4-section massage and treatment table with modern design
- Width of table top: 69 or 80 cm
- Adjustable head section from -70° to +40° with a gas spring
- Round face hole in the head section with a removable face hole cover which increases patient's comfort (2 types of cover: round and crescent)
- Rotating slide-down arm rest in head section
- Two-layer padding with inflammable, bio-compatible and scratchproof upholstery in many colours
- Powder coated, very stable scissor steel frame
- 2 side brackets for the fixation of stabilization belts and elastic bands
- Traction support sleeves
- Personal Authorization Safety System with 2 magnetic safety keys
- HalloTronic® System electric high/low height adjustment from 52 to 93 cm with a capacity up to 200 kg
- Powder coated steel high/low height adjustment foot bar accessible from each side of the table
- Non-slip rubber feet with 1 cm height adjustment allowing for the levelling of the table

## Additional option:

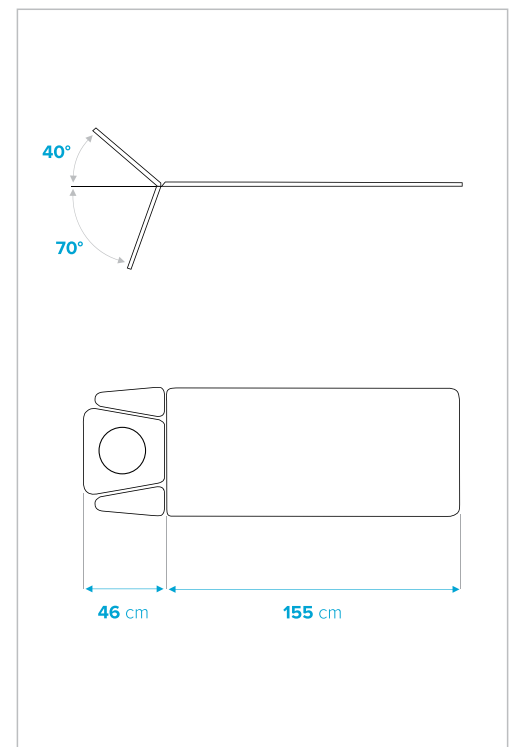
- Built-in surface heating system of table top (Comfort option)
- Upholstery of 80 mm thickness

## Ordering information:

**S4.F0:** 4-section massage and treatment table with basic wheeling system composed of 2 small wheels and 2 legs with non-slip rubber feet.

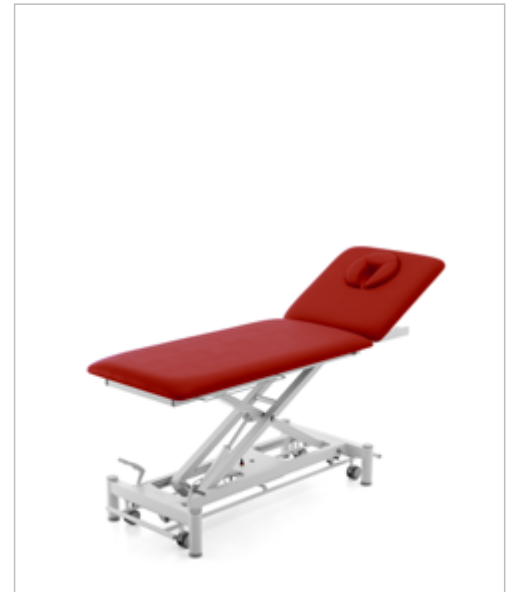
**S4.F4:** 4-section massage and treatment table with dual-lever retractable castor wheeling system composed of 4 directional castors with central brake and 4 legs with non-slip rubber feet.

## Table articulations:






# Safari Puma E-S2 | 2-section table



 Box dimensions: **220 x 85 x 75 cm** Weight: **+50 kg**

 Length: **211 cm**

 Height: **52-93 cm**

 Width: **69(80) cm**

 Weight: **88/103 kg**

 Max load: **200 kg**

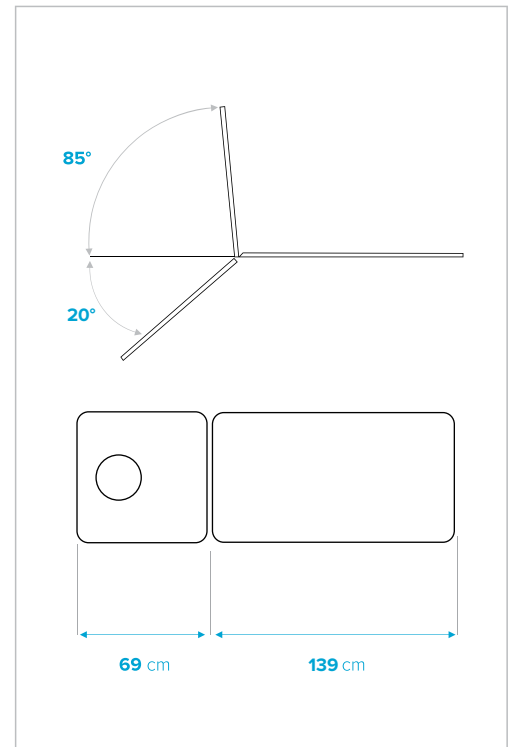
## Features:

- 2-section massage and treatment table with a long head section
- Width of table top: 69 or 80 cm
- Adjustable long head section from -20° to +85° or 0° to +85° (with special frame) with 2 gas springs
- Round face hole in the head section with a removable face hole cover (2 types: round and crescent)
- Two-layer padding with non-flammable, bio-compatible and scratchproof upholstery in many colours
- Powder coated, extremely stable steel frame
- 2 side brackets for the fixation of stabilization belts and elastic bands
- Personal Authorization Safety System with 2 safety magnetic keys
- HalloTronic® System for electric high/low height adjustment from 52 to 93 cm with a capacity up to 200 kg
- Powder coated steel high/low height adjustment foot bar accessible from each side of the table
- Non-slip rubber feet with 1 cm height adjustment allowing for the levelling of the table

## Additional option:

- Upholstery of 80 mm thickness

## Table articulations:



## Ordering information:

**E-S2.F0:** 2-section massage and treatment table with basic wheeling system composed of 2 small wheels and 2 legs with non-slip rubber feet.

**E-S2.F4:** 2-section massage and treatment table with dual-lever retractable castor wheeling system composed of 4 directional castors with central brake and 4 legs with non-slip rubber feet.

# Safari Leopard S3

3-section massage and treatment table



Box dimensions: **220 x 85 x 75 cm** Weight: **+50 kg**



Length: **205 cm**



Height: **52-93 cm**



Width: **69(80) cm**



Weight: **93/106 kg**



Max load: **200 kg**

## Features:

- 3-section massage and treatment table
- Width of table top: 69 or 80 cm
- Adjustable head section from -70° to +40° with a gas spring
- Round face hole in the head section with a removable face hole cover which increases patient's comfort (2 types of cover: round and crescent)
- Adjustable leg section from 0° to 90° with a gas spring
- Two-layer padding with non-flammable, bio-compatible and scratchproof, upholstery in many colours
- Powder coated, very stable scissor steel frame
- 2 side brackets for the fixation of stabilization belts and elastic bands
- Traction support sleeves
- Personal Authorization Safety System with 2 magnetic safety keys
- HalloTronic® System electric high/low height adjustment from 52 to 93 cm with a capacity up to 200 kg
- Powder coated steel high/low height adjustment foot bar accessible from each side of the table
- Non-slip rubber feet with 1 cm height adjustment allowing for the levelling of the table

## Additional option:

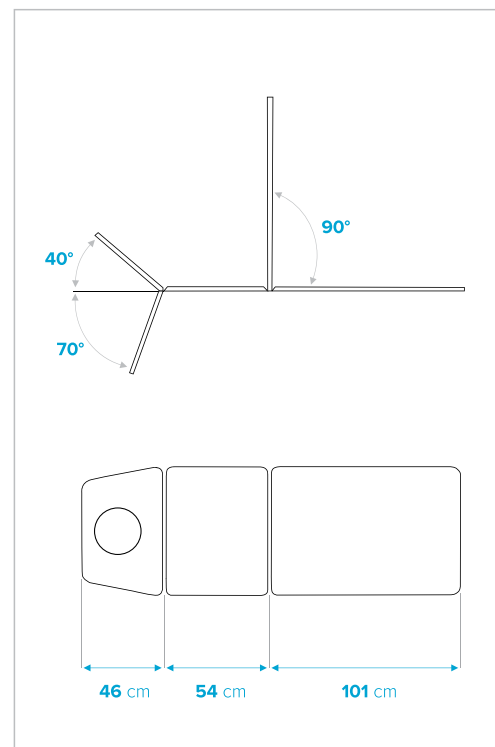
- Built-in surface heating system of table top (Comfort option)
- Upholstery of 80 mm thickness

## Ordering information:

**S3.F0:** 3-section massage and treatment table with basic wheeling system composed of 2 small wheels and 2 legs with non-slip rubber feet.

**S3.F4:** 3-section massage and treatment table with dual-lever retractable castor wheeling system composed of 4 directional castors with central brake and 4 legs with non-slip rubber feet.

## Table articulations:



# Safari Leopard S5 | 5-section massage and treatment table




 Box dimensions: **220 x 85 x 75 cm** Weight: **+50 kg**

 Length: **205 cm**

 Height: **52-93 cm**

 Width: **69(80) cm**

 Weight: **96/109 kg**

 Max load: **200 kg**

## Features:

- 5-section massage and treatment table
- Width of table top: 69 or 80 cm
- Adjustable head section from  $-70^{\circ}$  to  $+40^{\circ}$  with a gas spring
- Round face hole in the head section with a removable face hole cover which increases patient's comfort (2 types of cover: round and crescent)
- Rotating slide-down arm rests
- Adjustable leg section from  $0^{\circ}$  to  $90^{\circ}$  with a gas spring
- Two-layer padding with non-flammable, bio-compatible and scratchproof, upholstery in many colours
- Powder coated, very stable scissor steel frame
- 2 side brackets for the fixation of stabilization belts and elastic bands
- Traction support sleeves
- Personal Authorization Safety System with 2 magnetic safety keys
- HalloTronic® System electric high/low height adjustment from 52 to 93 cm with a capacity up to 200 kg
- Powder coated steel high/low height adjustment foot bar accessible from each side of the table
- Non-slip rubber feet with 1 cm height adjustment allowing for the levelling of the table

## Additional option:

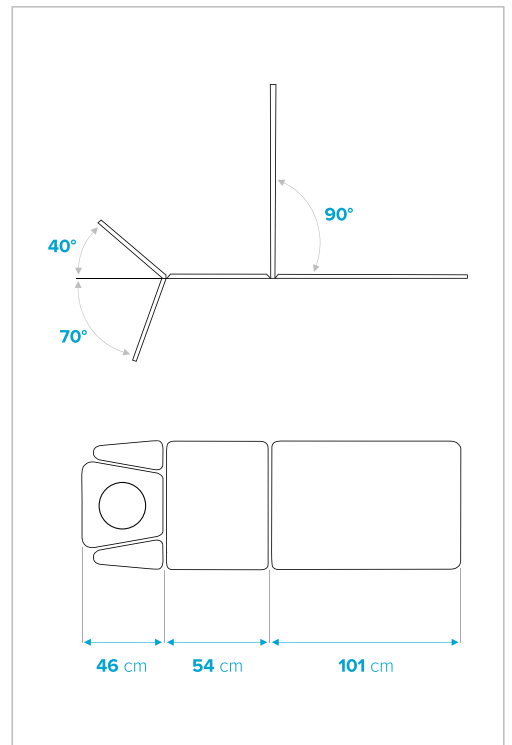
- Built-in surface heating system of table top (Comfort option)
- Upholstery of 80 mm thickness

## Ordering information:

**S5.F0:** 5-section massage and treatment table with basic wheeling system composed of 2 small wheels and 2 legs with non-slip rubber feet.

**S5.F4:** 5-section massage and treatment table with dual-lever retractable castor wheeling system composed of 4 directional castors with central brake and 4 legs with non-slip rubber feet.

## Table articulations:




# Safari Jaguar P3 | 3-section massage and treatment table




 Box dimensions: **220 x 85 x 75 cm** Weight: **+50 kg**

 Length: **205 cm**

 Height: **54-95 cm**

 Width: **69(80) cm**

 Weight: **99/112 kg**

 Max load: **200 kg**

## Features:

- 3-section massage and treatment table with postural drainage setting
- Postural drainage with an electric motor operated by 2 switches from both sides of the table
- Width of table top: 69 or 80 cm
- Adjustable head section from -70° to +40° with a gas spring
- Round face hole in the head section with a removable face hole cover which increases patient's comfort (2 types of cover: round and crescent)
- Adjustable leg section from 0° to 90° with gas spring,
- Two-layer padding with non-flammable, bio-compatible and scratchproof, upholstery in many colours
- Powder coated, very stable scissor steel frame
- 2 side brackets for the fixation of stabilization belts and elastic bands
- Traction support sleeves
- Personal Authorization Safety System with 2 magnetic safety keys
- HalloTronic® System electric high/low height adjustment from 54 to 95 cm with a capacity up to 200 kg
- Powder coated steel high/low height adjustment foot bar accessible from each side of the table
- Non-slip rubber feet with 1 cm height adjustment allowing for the levelling of the table

## Additional option:

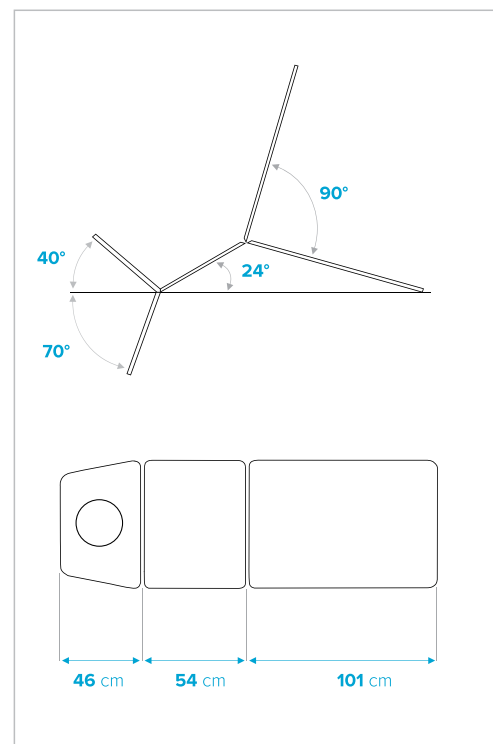
- Built-in surface heating system of table top (Comfort option)
- Upholstery of 80 mm thickness

## Ordering information:

**P3.F0:** 3-section massage and treatment table with basic wheeling system composed of 2 small wheels and 2 legs with non-slip rubber feet.


**P3.F4:** 3-section massage and treatment table with dual-lever retractable castor wheeling system composed of 4 directional castors with central brake and 4 legs with non-slip rubber feet.

## Table articulations:



# Safari Jaguar P5 | 5-section massage and treatment table




 Box dimensions: **220 x 85 x 75 cm** Weight: **+50 kg**

 Length: **205 cm**

 Height: **54-95 cm**

 Width: **69(80) cm**

 Weight: **102/115 kg**

 Max load: **200 kg**

## Features:

- 5-section massage and treatment table with the postural drainage setting
- Postural drainage with an electric motor operated by 2 switches from both sides of the table
- Width of table top: 69 or 80 cm
- Adjustable head section from  $-70^{\circ}$  to  $+40^{\circ}$  with a gas spring
- Round face hole in the head section with a removable face hole cover which increases patient's comfort (2 types of cover: round and crescent)
- Rotating slide-down arm rests
- Adjustable leg section from  $0^{\circ}$  to  $90^{\circ}$  with a gas spring
- Two-layer padding with non-flammable, bio-compatible and scratchproof upholstery in many colours
- Powder coated, very stable scissor steel frame
- 2 side brackets for the fixation of stabilization belts and elastic bands
- Traction support sleeves
- Personal Authorization Safety System with 2 safety magnetic keys
- HalloTronic® System electric high/low height adjustment from 54 to 95 cm with a capacity up to 200 kg
- Powder coated steel high/low height adjustment foot bar accessible from each side of the table
- Non-slip rubber feet with 1 cm height adjustment allowing for the levelling of the table

## Additional option:

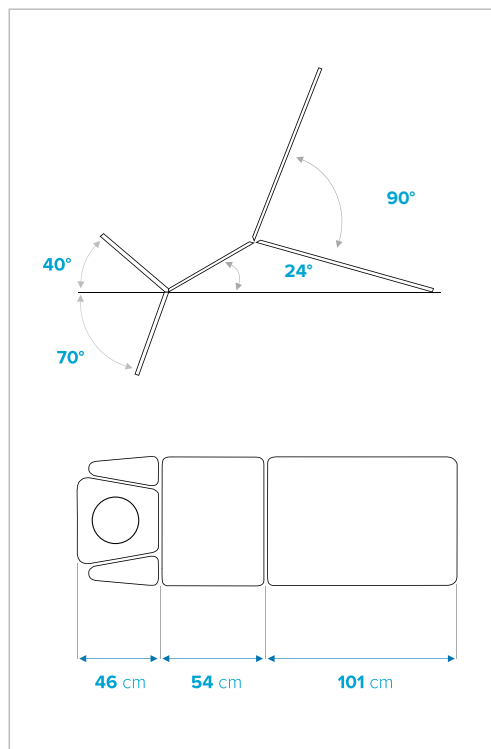
- Built-in surface heating system of table top (Comfort option)
- Upholstery of 80 mm thickness

## Ordering information:

**P5.F0:** 5-section massage and treatment table with basic wheeling system composed of 2 small wheels and 2 legs with non-slip rubber feet.

**P5.F4:** 5-section massage and treatment table with dual-lever retractable castor wheeling system composed of 4 directional castors with central brake and 4 legs with non-slip rubber feet.

## Table articulations:



# Safari Line



## Technical data:

	Puma S2	Puma E-S2	Puma S4	Leopard S3	Leopard S5	Jaguar P3	Jaguar P5
Dimensions (length x width) [cm]:	202 x 69 (80)	211 x 69 (80)	202 x 69 (80)	205 x 69 (80)	205 x 69 (80)	205 x 69 (80)	205 x 69 (80)
Number of sections:	2	2	4	3	5	3	5
Head-rest inclination angle [°]:	-70/+40	-20/+85	-70/+40	-70/+40	-70/+40	-70/+40	-70/+40
Middle section inclination angle [°]:	-	-	-	-	--	0/+24	0/+24
Foot-rest inclination angle [°]:	-	-	-	0/+90	0/+90	-12/+90	-12/+90
Height adjustment [cm]:	52-93	52-93	52-93	52-93	52-93	54-95	54-95
Weight F0/F4 [kg]:	86/99	88/103	89/102	93/106	96/109	99/112	102/115
Max. lifting capacity [kg]:	200	200	200	200	200	200	200
Power supply [V/Hz]:	230/50	230/50	230/50	230/50	230/50	230/50	230/50
Max. working load [kg]:	300	300	300	300	300	300	300



Adjustment of head rest



Adjustment of postural drainage



2 types of breathing slot cover:  
round and crescent



Built-in surface heating system  
of table top (Comfort option)



Personal Authorization  
Safety System (PASS)

# Safari Hydraulic Tables

Massage and treatment tables with a powerful hydraulic actuator



 Box dimensions: **220 x 85 x 80 cm** Weight: **+50 kg**

 Length: **202/205 cm**

 Height: **52-99/54-101 cm**

 Width: **69/80 cm**

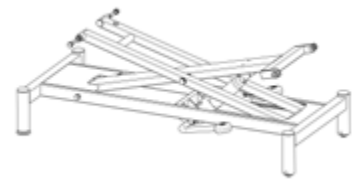
 Weight: **92-121 kg**

 Max load: **200 kg**

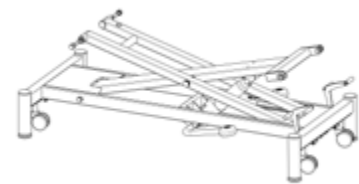
## Features:

- High-class massage and treatment table with a powerful hydraulic actuator
- Postural drainage by the means of 2 levers accessible from 2 sides of table top (P3, P5 version)
- Rotating arm rests in head section (S4, S5, P5 versions)
- Width of table top: 69 or 80 cm
- Adjustable head section from -70° to +40° with a gas spring
- Round face hole in the head section with a removable face hole cover which increases patient's comfort (2 types of cover: round and crescent)
- Adjustable leg section from 0° to 90° with a gas spring
- Two-layer padding with non-flammable, bio-compatible and scratchproof, upholstery in many colours
- Powder coated, very stable scissor steel frame,
- 2 side brackets for the fixation of stabilization belts and elastic bands
- Traction support sleeves
- Hydraulic high / low height adjustment with a capacity up to 200 kg
- High/low height adjustment with foot pedal accessible from both sides of the table
- Non-slip rubber feet with 1 cm height adjustment allowing for the levelling of the table

## Frame F0-H



## Frame F4-H



## Additional option:

- Upholstery of 80 mm thickness

## Technical data:

	Puma S2	Puma E-S2	Puma S4	Leopard S3	Leopard S5	Jaguar P3	Jaguar P5
Dimensions (length x width) [cm]:	202 x 69 (80)	211 x 69 (80)	202 x 69 (80)	205 x 69 (80)	205 x 69 (80)	205 x 69 (80)	205 x 69 (80)
Number of sections:	2	2	4	3	5	3	5
Head-rest inclination angle [°]:	-70/+40	-20/+85	-70/+40	-70/+40	-70/+40	-70/+40	-70/+40
Middle section inclination angle [°]:	-	-	-	-	-	0/+24	0/+24
Foot-rest inclination angle [°]:	-	-	-	0/+90	0/+90	-12/+90	-12/+90
Height adjustment [cm]:	52-99	52-99	52-99	52-99	52-99	54-101	54-101
Weight F0/F4 [kg]:	92/105	96/109	95/108	99/112	102/115	105/118	108/121
Max. lifting capacity [kg]:	200	200	200	200	200	200	200

# Accessories



## Paper roll holder

- 1a: type 6 for Prestige
- 1b: type 8 for Safari
- 1c: holder for Nexus

## Ordering information:

Part number	Description
001 a, b, c	Paper roll holder <b>(1)</b>
002-xx	Traction support <b>(2)</b>
003	Stabilization belt <b>(3)</b>
004 (blue)	Kaltenborn wedge (small/large) <b>(4)</b>
005-xx	Wedge (70 x 60 x 25 cm) <b>(5)</b>
006-xx	Wedge (50 x 35 x 20 cm) <b>(6)</b>
007-xx	Bolster (60 x 15 cm) <b>(7)</b>
008-xx	Semi-bolster (60 x 15 x 10 cm) <b>(8)</b>
009-xx	Semi-bolster (60 x 15 x 15 cm) <b>(9)</b>
010-xx	Wedge (40 x 30 x 12 cm) <b>(10)</b>
011-xx	Bolster (60 x 10 cm) <b>(11)</b>
012-xx	Bolster (60 x 20 cm) <b>(12)</b>

## Upholstery colour options\*:

Enjoy the high quality upholstery in the colours you like!

You can now choose non-flammable, bio-compatible and scratchproof upholstery for your tables, couches, stools as well as wedges and bolsters in colours matching the design and atmosphere of your place. Softness and high durability of the upholstery provide comfort to patients as well as therapists.



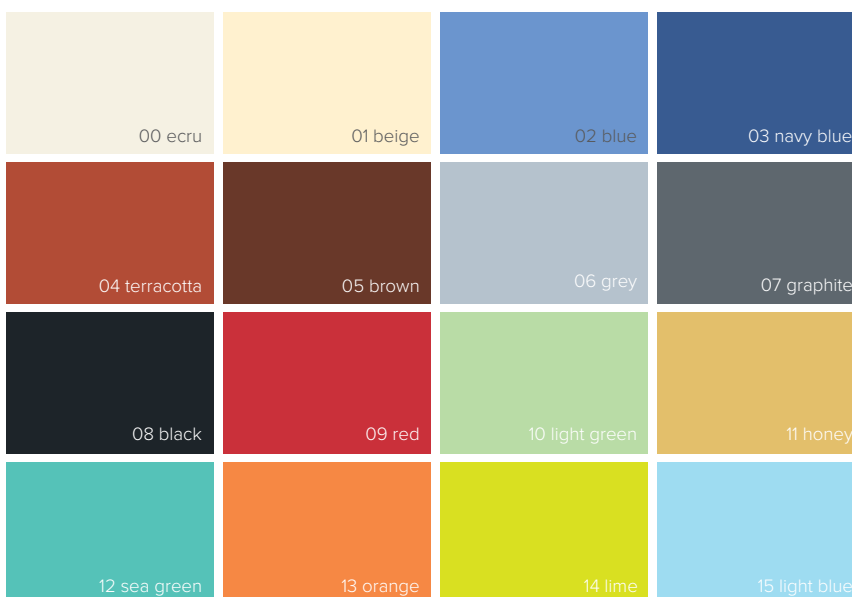
*We have been distributing the equipment made by Meden-Inmed Sp. z o.o. since 2011 (including, but not limited to, massage treatment tables) and would like express our satisfaction with all the devices and service offered by the company. We recommend this equipment to all users who look for high quality products at good prices.*

**Cédric Meunier**  
CEO of SISSEL France

## Premium upholstery colour:



## Standard upholstery colour:





# WaveMotion\*

Unique table to gently swing and rotate 360° in space

WaveMOTION®  
Clap Tzu



Device meets the requirements for innovation



Box dimensions: **220 x 95 x 95 cm** Weight: **+50 kg**

Hovering, swinging, floating - letting go into the soothing motion. Gentle turning and swinging movements trigger a deep relaxation reflex.

The unique **WaveMOTION** therapy gives patients a sensation of pressure relief and allows manual operation in three-dimensional space. **WaveMOTION** is an advanced manual method, which has a positive effect on:

- efficiency of muscle and breathing pattern
- lymphatic system and cardiovascular system
- proprioception
- balance functions
- pain sensitivity
- joints and spine
- mood and feeling of relaxation

It's hard to imagine another treatment that would lead to such profound relaxation giving a sensation similar to hydrotherapy. **WaveMOTION** therapy born after many years of work with manual therapists and osteopaths, using the latest technologies. The table top movement - 360° rotation on a floating suspension. It can be tilt both axes.

Matthias Kühl, practitioner for 20 years and director of the **Clap Tzu** company, developed this specialized method with the help of many other therapists, inspired by Prof. Eyal Lederman's osteopathy harmonic technique and the various techniques impact on the joints and trigger points. The effect is surprising - with gentle, rhythmic movements in a short time we introduce a patient into a state of deep relaxation making it easier to achieve a therapeutic effect.

The **WaveMOTION** are also used by many therapists for conventional massage treatments.

## Technical data:

	S2	S4
Dimensions (L x W) [cm]:	202 x 75	202 x 75
Section number:	2	4
Fold-down arm rests:	-	+
Head section adjustment:	+	+
Height adjustment:	+	+
Max. weight [kg]:	145	145
Max. load [kg]:	150	150
Power supply [V/Hz]:	230/50	230/50

\* There is available version ABANO (without 360° rotation)



## Application in:

- Rehabilitation
- Mobilization
- Osteopathy
- Diseases caused by stress (neuralgia)
- Neurological problems (among others: spasticity)
- Non-specific pain

## Models available:

- **S2:** 2-section with adjustable head section
- **S4:** 4-section with adjustable head section and fold-down arm rests

**S2, S4 models:** the 40°/90° headrest allows for an ergonomic positioning in the prone position, but the head of patient/client can be gently supported in the supine position. The adjustment range of the headrest is from 40° positive to 90° negative. The headrest has a round face cradle with a matching cushion.

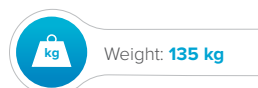
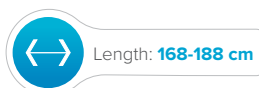
## Additional options:

- Upholstery resistant to oils (Premium Upholstery)
- Built-in surface heating system of table top (Comfort option)
- Personal Authorization System

Matthias Kühl has paved a new trend in rehabilitation tables design, presenting model WaveMOTION to the public. Working with this table allows for application of many osteopathic techniques with almost no effort on the therapist side, while maintaining high treatment efficiency!"

Thorsten Liem  
Joint Principal of the German School of Osteopathy

# ChiroSpace | 6-section rehabilitation table



6-section rehabilitation table for manual therapies, like chiropractic or osteopathy, is a multifunctional equipment for every therapist. Thanks to the ergonomic construction of the table top, with the possibility of side rotation of the foot section, the physiotherapist can adjust the initial correction of the patient's spine, work on soft tissues, and perform any manual procedures.

## Features:

- 6-section treatment table for manual therapy
- Head section with a profiled face hole
- 2 possibilities of head section adjustment: from -35° to +25° with a gas spring and additional adjustment from 0° to +18° (in opposite direction) via second gas spring
- Rotating slide down arm rests
- 2 possibilities of hip/leg section adjustment: from 0° to -25° and side rotation from -9° to 9°
- Electric high/low height adjustment via foot-operated controller at two sides of the table base
- 3-layer padding 40 mm, with non-flammable, bio-compatible and scratchproof upholstery in many colours
- Shift of shank support: 0 – 19 cm (shank support can be totally removed from the table)
- Settings lock: rotation and shift
- DROP techniques
- Mechanism of dynamic force compensation - to minimize the patient's body weight resting on the hip/leg section of the table via an offload and steering mechanism
- 2 fixed wheels + 2 castors central lifted (F2 system)

## Technical data:

Dimensions (LxWxH) [cm]:	168-188 x 51 x 53-93
Weight [kg]:	135
Max. lifting capacity [kg]:	180
Shift [cm]:	0-19
Power supply [V; Hz]:	240; 50/60



# Skyline Eagle S5 | 5-section massage and treatment table



 Box dimensions: **220 x 85 x 75 cm** Weight: **+50 kg**

 Length: **205 cm**

 Height: **54-88 cm**

 Width: **69(80) cm**

 Weight: **102/115 kg**

 Max load: **200 kg**

## Features:

- 5-section massage and treatment table with the postural drainage setting
- Width of table top: 69 or 80 cm
- Adjustable head section from  $-70^{\circ}$  to  $+40^{\circ}$  with a gas spring
- Round face hole in the head section with a removable face hole cover which increases patient's comfort (2 types of cover: round and crescent)
- Innovative self-locking fold-down arm rests in head section (one hand operated)
  - SmartS4Arms (Smart Slide For Arms)
- Adjustable leg section from  $0^{\circ}$  to  $90^{\circ}$  with a gas spring
- Two-layer padding with non-flammable, bio-compatible and scratchproof, upholstery in many colours
- Powder coated, very stable scissor steel frame
- 2 side brackets for the fixation of stabilization belts and elastic bands
- Traction support sleeves
- Personal Authorization Safety System with 2 safety magnetic keys
- HalloTronic® System electric high/low height adjustment from 54 to 95 cm with a capacity up to 200 kg
- Powder coated steel high/low height adjustment foot bar accessible from each side of the table
- Non-slip rubber feet with 1 cm height adjustment allowing for the levelling of the table

## Additional option:

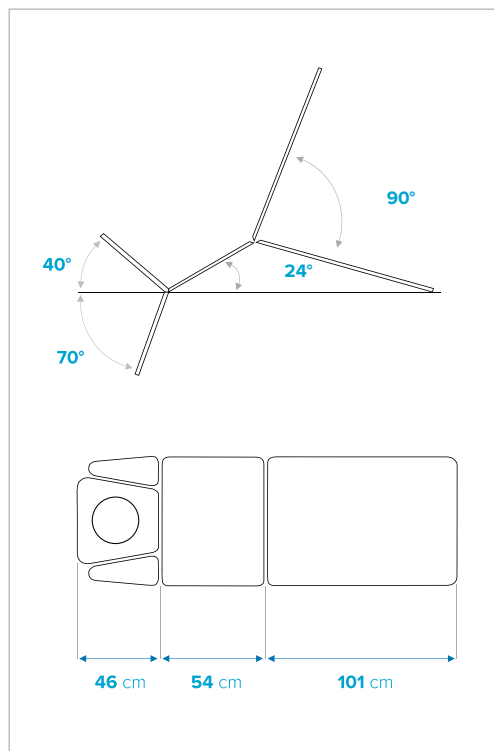
- Upholstery of 80 mm thickness

## Ordering information:

**S5.F0:** 5-section massage and treatment table with basic wheeling system composed of 2 small wheels and 2 legs with non-slip rubber feet.

**S5.F4:** 5-section massage and treatment table with dual-lever retractable castor wheeling system composed of 4 directional castors with central brake and 4 legs with non-slip rubber feet.

## Table articulations:



# Safari Elephant B-S1 | 1-section table



Box dimensions: **220 x 136 x 75 cm** Weight: **+90 kg**



Length: **200 cm**



Height: **50-99 cm**



Width: **120 cm**



Weight: **126/140 kg**



Max load: **200 kg**

## Features:

- 1-section Bobath and Voyta treatment table
- Extra wide surface
- Two-layer padding with non-flammable, bio-compatible and scratchproof upholstery in many colours
- Powder coated, extremely wide and stable steel frame
- Personal Authorization Safety System with 2 magnetic safety keys
- HalloTronic® System for electric high/low height adjustment from 50 to 99 cm with a capacity up to 200 kg
- Powder coated steel high/low height adjustment foot bar accessible from each side of the table
- Non-slip rubber feet with 1 cm height adjustment allowing for the levelling of the table
- F4 wheeling system - dual-lever retractable castor wheeling system composed of 4 directional castors with central brake and 4 legs with non-slip rubber feet

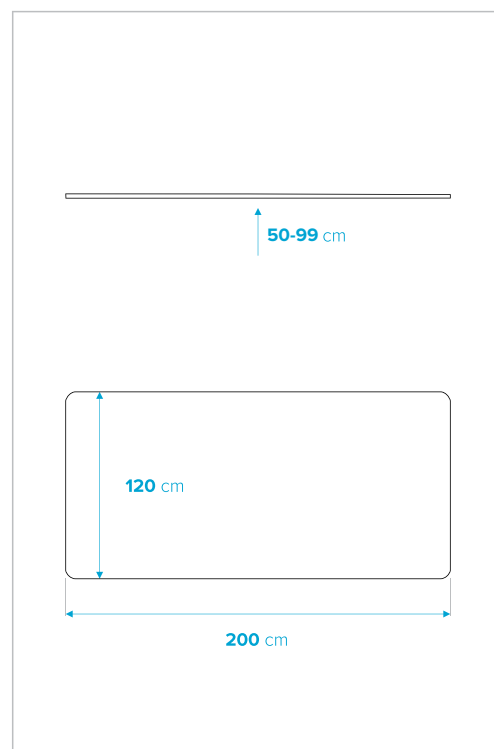
”

*Special mechanism of lifting the table on 4 castors is very fast and easy to operate and allows for full mobility. High functionality of tables allow us to perform various therapies. In my Rehabilitation Center we work with three tables manufactured by Meden-Inmed and they fulfill all our requirements.*

**Tomasz Wojdylak**

Manual Therapist, Owner of Tomed Rehabilitation Center

## Table articulations:



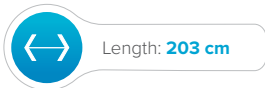
## Ordering information:

**B-S1.F0:** 1-section massage and treatment table with basic wheeling system composed of 2 small wheels and 2 legs with non-slip rubber feet.

**B-S1.F4:** 1-section massage and treatment table with dual-lever retractable castor wheeling system composed of 4 directional castors with central brake and 4 legs with non-slip rubber feet.



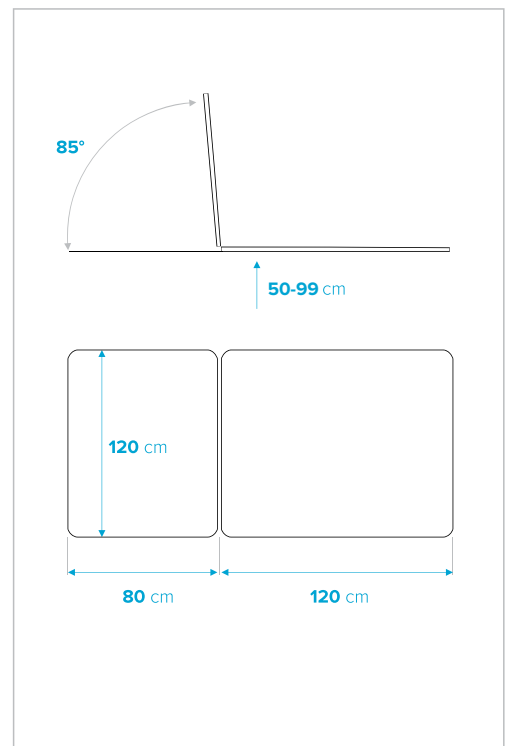
# Safari Elephant B-S2 | 2-section table



## Features:

- 2-section Bobath and Voyta treatment table
- Extra wide surface
- Adjustable head section from 0° to +85° via 2 gas springs
- Two-layer padding with non-flammable, bio-compatible and scratchproof upholstery in many colours
- Powder coated, extremely wide and stable steel frame
- Personal Authorization Safety System with 2 magnetic safety keys
- HalloTronic® System for electric high/low height adjustment from 50 to 99 cm with a capacity up to 200 kg
- Powder coated steel high/low height adjustment foot bar accessible from each side of the table
- Non-slip rubber feet with 1 cm height adjustment allowing for the levelling of the table
- F4 wheeling system - dual-lever retractable castor wheeling system composed of 4 directional castors with central brake and 4 legs with non-slip rubber feet

## Table articulations:



## Ordering information:

- B-S2.F0:** 2-section massage and treatment table with basic wheeling system composed of 2 small wheels and 2 legs with non-slip rubber feet.
- B-S2.F4:** 2-section massage and treatment table with dual-lever retractable castor wheeling system composed of 4 directional castors with central brake and 4 legs with non-slip rubber feet.



Vertimo is a line of modern, 1-section or 2-section tilting tables produced by Meden-Inmed.



Box dimensions: **220 x 85 x 80 cm** Weight: **+50 kg**

**Vertimo Classic** - very stable 1-section tilting table with electric adjustment of verticalisation.

### Features:

- 1-section table
- Electric motor for tilting adjustment
- Manual remote control for the adjustment of tilting angle with access authorization - with a special key placed in the remote control
- Brackets for the attachment of fastening belts and additional accessories
- Two-layer padding with non-flammable, bio-compatible and scratchproof upholstery in many colours
- Powder coated, very stable steel frame
- 4 large separately lockable castors (movement and rotation lock)

### Technical data:

Number of sections:	1
Dimensions (L x W) [cm]:	190 x 69
Table top inclination angle [°]:	0-87 (±3)
Height [cm]:	53
Max. lifting capacity [kg]:	150
Weight [kg]:	100
Power supply [V/Hz]:	230/50

### Standard accessories for Vertimo line:

- fastening belts

### Additional accessories for Vertimo line:



Support table



Arm supports



Box dimensions: **220 x 85 x 80 cm** Weight: **+50 kg**

**Vertimo Hi-Lo** - table for verticalization and mobilization. It is an excellent aid for patients after prolonged immobilization in lying position at gradual adaptation exercises from lying to standing position and treatment of patients with vasovagal syncope. Available in 3 versions:

- 1-section tilting table
- 2-section (**DUO**) tilting table

### Features:

- 1 or 2-section table
- 2 electric motors – one ensures smooth tilting; the other one adjusts height
- Electric height and tilting adjustment with manual remote control with the function of access authorization - authorization is done by a special key placed in the remote control
- Two-layer padding with non-flammable, bio-compatible and scratchproof upholstery in many colours
- Powder coated, very stable steel frame
- 2 separately adjustable footrests
- Brackets for the attachment of fastening belts and additional accessories
- 4 large separately lockable castors (movement and rotation lock)
- Tilt angle indicator
- Emergency battery back-up power supply (allows table lowering to min. height and return to horizontal position at power failures)

### Technical data:

Number of sections:	1/2
Dimensions (L x W) [cm]:	190 x 69
Footrest length [cm]:	36
Table top inclination angle [°]:	0-87
Head section inclination angle [°]:	0-85
Footrest inclination angle [°]:	-30/+15
Height adjustment [cm]:	53-103
Max. lifting capacity (tilting) [kg]:	150
Max. lifting capacity (up/down) [kg]:	225
Castors diameter [cm]:	10
Weight [kg]:	130
Power supply [V/Hz]:	230/50





Universal suspension harness S-M-L-XL

**Eleveo** helps to maintain proper posture, reduces load, eliminates balance problems and improves motor coordination training. Unique harnesses are designed for uni- or bilateral support of the body as well as for a gradual level change from fully loaded to fully unloaded. The device allows for a manual controlled treatment of lower limbs and pelvis to ensure proper movement. Configurability of the device allows the clinics to treat various patients with a single Eleveo system. Extra options help to adjust the system to specific needs of each patient.

### FREEWALKER (without handbrake A), FREEWALKER-B (with handbrake B):

Neurological walker with adjustable height. Patient can lean his body on upholstered supports in order to relieve the lower limbs. Robust construction with 4 wheels.



Box dimensions: **220 x 95 x 56 cm** Weight: **+40 kg**

**Eleveo** is a training device for simultaneous control of unloading, posture and balance on a treadmill or firm surfaces. Systems providing dynamic unloading are a perfect solution for training patients in a wide range of gait disorders.

### Distinguishing features:

- battery-powered electric height adjustment (charged from a 230V wall outlet)
- two-point suspension with pelvis positioning and front-back inclination using 4 belts
- four-wheel system with two wheels with full and two with directional brake (the wheels with directional brake allow for pre-setting the direction of movement prior to the treatment)
- the system can lower to 164 cm for an easy access to rooms with low doors (180 cm) or treatment of shorter patients
- frame with 8-step adjustment 88-108 cm (88 cm wide frame allows an easy passage through the most doors, min. 97 cm - allows exercises on treadmill in suspension)
- maximum height of 234 cm
- patient height of up to 210 cm
- patient weight of up to 160 kg
- front, back and sideways gait training
- gait direction change possible without disconnecting the harness,
- variable angle adjustable handlebars
- dynamic unloading system which allows for shifting the centre of gravity by at least 5 cm for a more physiological movement of the body during the training
- including one universal suspension harness S-M-L-XL (made from washable fabric for easy cleaning)
- WeCoTronic (Weight Control ElecTronic) - electronic panel shows real-time data (weight, unloading) from BT - enabled tensometric sensors



### Technical data:

Width (ext.) [cm]:	88-108
Height [cm]:	164-234
Depth [cm]:	135
Weight [kg]:	120
Max. load [kg]:	160

### Technical data:

	B	A
Min. height [cm]:	103	96,3
Max. height [cm]:	137,5	131,8
Width [cm]:	77,1	76
Depth [cm]:	94,6	85,4
Max. working load [cm]:	150	150
Weight [kg]:	31,6	23,7

# Axelero ver. Reha

Medical treadmill in version for rehabilitation



**Axelero ver. Reha** is a medical treadmill designed for rehabilitation. This modern medical device is suitable for hospital and clinical use in Physiotherapy. Treadmill is operated by the control unit with LCD display.

## Functions:

- start / stop
- incline
- speed
- calories
- distance
- time
- programs (MANUAL, DEFINED, USER)



Box dimensions: **230 x 95 x 76 cm** Weight: **+50 kg**

## Features:

- system of gradual speed increase from 0,2 km/h to a preset value,
- belt speed stabilization in the full drive load range,
- smooth and quiet operation in the full belt speed range,
- easily accessible safety switch which allows for switching the device and the drive off manually,
- control unit with color LCD display,
- pediatric handlebars (option).

## Technical data:

Belt speed range [km/h]:	0,2 to 25
Belt speed setting resolution [km/h]:	0,1
Belt elevation angle range [%]:	0-25
Belt elevation angle adjustment accuracy [%]:	0,5
Length of the useable part of the belt [cm]:	140
Width of the useable part of the belt [cm]:	52
Width of the stationary rest area [cm]:	10
Maximum patient weight [kg]:	200
Power supply and consumption [V/Hz]:	230/50
Device weight [kg]:	200
Dimensions [cm]:	217 x 73 x 135







Single backrest (buttock)



Double backrest



(L) Box dimensions: **135 x 95 x 71 cm** Weight: **+36 kg**



(S) Box dimensions: **80 x 80 x 135 cm** Weight: **+16 kg**

## How it works:

The patient exercises lower limbs synchronically with levers moved by hands through a special mechanism. The PIO apparatus stabilises the patient in the correct position. Provides necessary weight bearing important for proper movement of the hips, knees and tarsal joints which promotes synchronised movements simulating natural gait.

Combines passive exercising of lower limbs with active exercising of the upper limbs and body with nearly natural load put on the muscular and skeletal system.

## Technical data:

	PIO for children (S)	PIO for adults (L)
Timer [min]:	1-59	1-59
Step counter:	max. 9999	max. 9999
Range of motion of lower limbs [°]:	max. ± 18 from vertical	max. ± 18 from vertical
Height of patient [cm]:	110-140	165-190
Max. weight of patient [kg]:	90	95
Colour of upholstery:	terracotta	black
Dimensions (L x W x H) [mm]:	950 x 664 x 980	1168 x 760 x 1518 (single) 1168 x 760 x 1663 (double)
Power supply [V]:	battery 3V type CR2032	battery 3V type CR2032
Weight [kg]:	41 49 (with lateral and thoracic support)	55 (single backrest) 61 (double backrest)
Range of height adjustment of feet rest [mm]:		195
Range of adjustment of knee holder [mm]:		142
Range of handle adjustment [mm]:		198
Range of buttock rest adjustment (horizontal) [mm]:		184
Range of back rest adjustment (horizontal) in ver. with double back rest [mm]:		184

**PIO** is a device which enables performing of comprehensive exercises in upright position.

It is designed:

- for rehabilitation wards
- for home use

Comfort of exercise performing increase:

- Electronic timer-counter showing time of exercise and number of steps; acoustic alarm goes off if the exercise exceeds present time
- A shelf for portable music and video players, newspapers or books
- Comfortable backrest

## Advantages of using PIO:

- Promotes upright position
- Increases breath capacity
- Stimulates circulatory system
- Prevents urinary system infections (helps to remove sediments in urinary tract)
- Provides dynamic load to osteoarticular system (e.g. lessens the risk of osteoporosis)
- Prevents muscle contracture and arthrosis

## PIO (L) versions:

- with single backrest (buttock)
- with double backrest

## Suggested exercise time:

minimum 2 times a day for 15 to 30 minutes



**Neuroforma station:**



Box dimensions: **100 x 130 x 70 cm** Weight: **+28 kg**

**Balance control module:**



Box dimensions: **112 x 130 x 60 cm** Weight: **+28 kg**

**Neuroforma** is an innovative platform for motor, cognitive and balance control exercises. It consists of a large display, a computerized system for data analysis and an optical system for movement analysis in 3D technology. The device is sturdy and easy-to-use. In addition, its space-saving design makes it suitable for use in less spacious facilities as well as easy to move around.

**How it works:**

While using **Neuroforma**, the patient stands or is seated in front of the screen, which shows their real, mirror reflection. Around that reflection, virtual objects appear. The patient's task is to move their body in such a way that the reflection displayed on the screen catches, hits or moves the appearing objects.



Virtual reality technology enables the patient to receive constant, immediate biofeedback. After each exercise, the patient can consult simple statistics, which are also available in a form of long-term reports presenting their progress for every task separately.



**Application:**

- Neurological rehabilitation
- Neuropsychological rehabilitation
- Physiotherapy
- Geriatrics
- Posttraumatic rehabilitation
- Orthopaedic rehabilitation
- Support in development of children with disabilities
- Health prophylaxis

**Crucial motor functions to be improved:**

- Hand-eye coordination
- Synchronization of movements
- Contralateral movement coordination
- Joint mobility
- Strength and muscle endurance
- Speed of response
- Movement control
- Load distribution
- Balance control

**Crucial cognitive functions to be improved:**

- Concentration on task
- Divided attention
- Inhibitory control
- Memory
- Using knowledge in possession
- Visual perception
- Counting
- Reading
- Decision making
- Problem solving



## Exercising with Neuroforma:

### Attractive virtual environment

Patients perform tasks in an attractive virtual environment that reinforces their involvement and motivation and improves their attitude towards exercising and satisfaction with rehabilitation services. The above-mentioned factors also boost effectiveness of the therapy.

### Unique motor-cognitive tasks

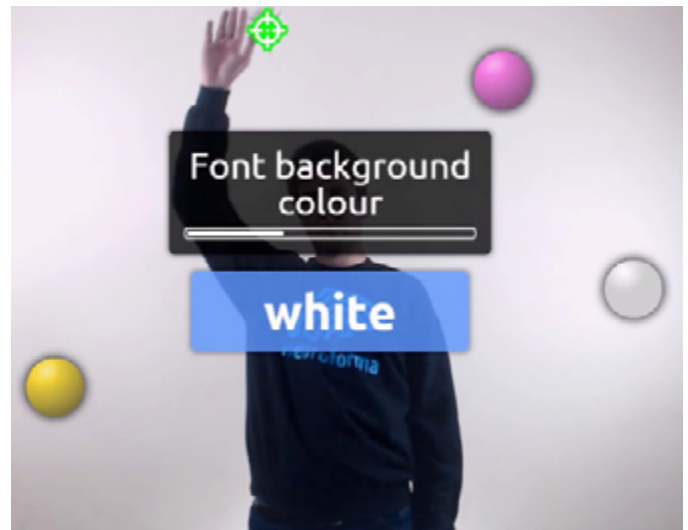
The Neuroforma system is based on a collection of interactive exercises. Combining motor and cognitive tasks in a so-called dual-task paradigm is what makes the system unique. The patient controls the objects displayed on the screen by moving their own body, which serves to improve their physical abilities. At the same time, the patient also needs to complete cognitive tasks on various levels of complexity. The inclusion of cognitive elements in motor exercises benefits all patients and is particularly important in neurological rehabilitation. Effectiveness of Neuroforma exercises has been demonstrated by many studies (e.g. Stryła & Banaś, 2015).

### Innovative mirror therapy module

The mirror therapy module is a set of specialised exercises targeted primarily at patients recovering from strokes. In the Neuroforma system, a traditional mirror has been replaced by a camera and a display screen. Advanced analysis and image transformation enable patients suffering from hemiparesis to see a reflection of their non-functional limb moving symmetrically and exactly the same way as the unaffected one. Effectiveness of mirror therapy with Neuroforma has been proved scientifically (e.g. Opara et al., 2016).

### Balance control training

The module for balance control training with a force platform serves as an extension of the basic Neuroforma station. Exercises were devised to improve proprioception, reinforce correct motor patterns and strengthen postural muscles. Some exercises include tasks that require involvement of upper extremities and balance control simultaneously. This module ideally supplements rehabilitation of neurological and orthopaedic patients, as well as of elderly people.



## Key benefits for health facilities:

- **Boosting competitiveness:** Neuroforma enables the facility to expand its offer with innovative rehabilitation based on virtual reality technology and biofeedback.
- **Increasing service efficiency:** Neuroforma combines experience and expertise with cutting-edge technological and scientific achievements.
- **Boosting financial effectiveness:** one comprehensive tool is enough to perform procedures encompassing many different specialist fields in various patient groups.

## Key benefits for therapists:

- **Improvement of the rehabilitation process:** Neuroforma automatically collects and saves information on the training process and its outcomes and stores it in patients' profiles.
- **Increased control over exercises:** the therapist decides how a given exercise should be designed and Neuroforma presents it and provides ongoing instructions to the patient.
- **Improved utilisation of the therapist's potential:** various exercises combining tasks from many rehabilitation fields enable the therapist to engage all their skills and oversee therapy of various functions simultaneously.

## Key benefits for patients:

- **Increased satisfaction and engagement:** attractive tasks in the form of simple games complemented by subtle motivating elements change dull exercises into motivating challenges.
- **Increased procedure effectiveness:** intensive, multi-dimensional, clinically proved rehabilitation with Neuroforma results in considerably faster progress and affects many aspects of patient's life.
- **Underscoring patient's progress:** easy-to-read training statistics, automatic adjustment of the complexity level to each patient's maximum skills, and simple reports on their progress emphasise every single improvement.



## Neuroforma functionalities:

### Creating patient profiles

All information about the patient and their training sessions is stored in patient's profile. The number of profiles is unlimited.

### Creating training sessions

Diversified exercise base allows for many options to choose from. Clear division into categories and user-friendly interface enable quick search for tasks which are best suited for each patient.

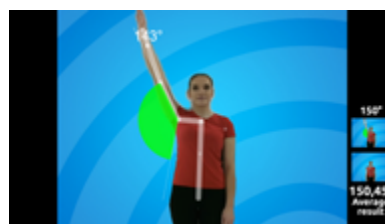


### Adjusting exercise parameters

The therapist selects baseline difficulty level, number of repetitions and range of motion. If any exercise turns out to be too easy or too difficult, it will be modified by intelligent algorithms embedded in the system. 28 diversified difficulty levels ensure precise adjustment to current abilities of all patients.

### Multimedia assistance

Multimedia resource collection consisting of tutorial videos supports patients during the first phases of training with Neuroforma, and can be turned off at later stages of rehabilitation. They familiarize the patient with the purpose of every exercise and present how each exercise should be done.



### Automatic posture correction

The optical system automatically detects patient's position and adjusts the image displayed on the screen accordingly. If the patient changes their position incorrectly while performing exercises, the system will immediately prompt them to correct their posture.

### Automatic training session

The computerized system presents exercises according to predefined settings. It displays prompts, statistics and motivational messages between subsequent tasks.

### Result visualisation

After a session is completed, the therapist and the patient can see session results presented in the form of clear diagrams, and analyse patient's progress for every task separately.

## Neuroforma software:

- Motor and cognitive exercise base
- Mirror therapy module
- Training session editor
- Patient base and result reporting module
- Module for exercise parameter adjustment
- 3-dimensional posture correction module
- Multimedia instruction module

## Basic equipment:

- Neuroforma software
- Large display
- Computerized system
- Optical system in 3D technology



## Technical data:

Dimensions (L x W x H) [cm]:	51 x 95 x 164
Weight [kg]:	65

## Extension - balance control module:

- Additional set of exercises
- Module for measurement of balance control parameters
- Wireless force platform
- Folding security railing



## Technical data:

Dimensions (L x W x H) [cm]:	119 x 105 x 104
Weight [kg]:	32

## Extension – an offloading arm:

- Functional device offloading the upper extremity; adjustable support rate, working on all levels.



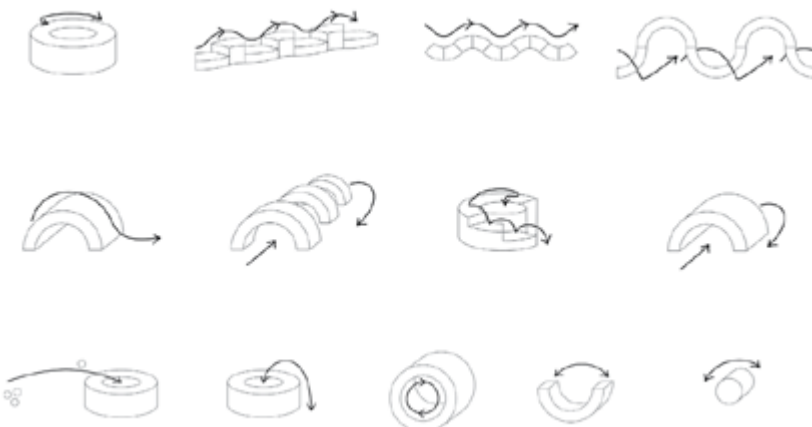
## Features:

- Modular structure – elements easy to connect and disconnect
- Like puzzles - modules of sets can be combined with each other like putting the pieces of the puzzle together
- Minimum dimensions after folding and maximum variety of games and exercises after unfolding
- Minimal amount of color stimuli
- Easy to clean
- Resistant to weather conditions and UV radiation
- Made of durable, certified materials
- Closed cell polyethylene foam, WU 45 XPE
- Meet the requirements of the medical device

## Application:

The big set of MOOVIE can be used in large spaces such as gymnasium, pre-school, rehabilitation room, sanatorium, common-room at school or playroom. Small set is intended for smaller spaces such as a flat, a small rehabilitation room or a common-room in a children's hospital. They can be also used in water. Thanks to their unique properties, they stay perfectly on the surface and dry quickly.

## Examples of exercises:



The developmental - rehabilitative toy **MOOVIE** was created for the development of children with changes in the functioning of the central nervous system. It is intended for occupational therapy for children with sensory movement disorders. Early rehabilitation intervention in the form of the directional play could help improve and compensate the deficits in children with dysfunctions.

## Types:

MOOVIE 23 - the big set of blocks, consists of 23 elements.

MOOVIE 15 – the small set of blocks, consists of 15 elements.

In the folded form, they have the shape of a cylinder.

## MOOVIE blocks are intended to ensure the support of the child in eneral development, including:

- Improvement of fine and gross motor skills
- Strengthening of the nervous system through movement
- Development and consolidation of the orientation pattern of the body and space
- Development of motor-auditory-visual perception
- Integrating peer group

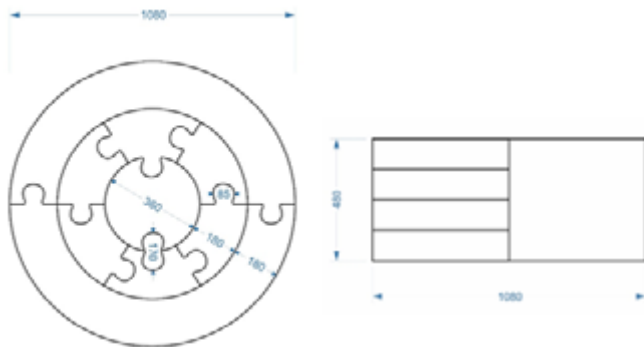
## Contraindications:

- Patients with whom cooperation is limited or impossible
- All wounds; disruption of the tissue
- Conditions after fractures and operations
- Rupture of muscles and tendons



## MOOVIE 23

set of 23 elements: Ø1800 mm, height 480 mm



### Big set of developmental - rehabilitative puzzle blocks:

#### Element A

1/2 the outer rim of the cylinder  
1 pcs., height 480 mm

#### Element B

1/2 the outer rim of the cylinder  
4 pcs., height 120 mm

#### Element C

The inner cylinder  
1 pcs., height 480 mm

#### Element D

1/6 of the middle rim of the cylinder  
2 pcs., height 480 mm

#### Element E

Figure eight - connector  
3 pcs.

E1 – height 80 mm

E2 – height 160 mm

E3 – height 240 mm

#### Element F

1/6 of the middle rim of the cylinder, 3 pcs.

F1 – height 80 mm

F2 – height 160 mm

F3 – height 240 mm

#### Element G

1/6 of the middle rim of the cylinder, 3 pcs.

G1 – height 80 mm

G2 – height 160 mm

G3 – height 240 mm

#### Element H

1/6 of the middle rim of the cylinder, 6 pcs.

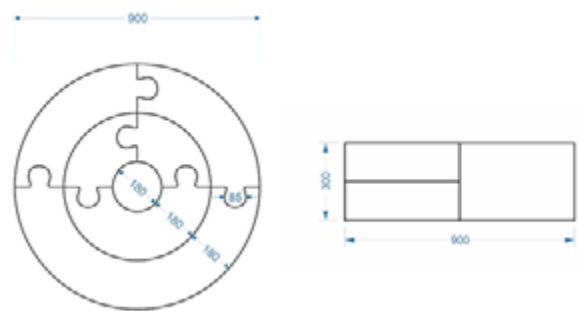
H1 - 2 pcs. height 80 mm

H2 - 2 pcs. height 160 mm

H3 - 2 pcs. height 240 mm

## MOOVIE 15

set of 15 elements: Ø900 mm, height 300 mm



### Small set of developmental - rehabilitative puzzle blocks:

#### Element A

1/2 of the outer rim of the cylinder  
1 pcs., height 320 mm

#### Element B

1/4 of the outer rim of the cylinder  
1 pcs., height 320 mm

#### Element C

1/4 of the outer rim of the cylinder  
2 pcs., height 160 mm

#### Element D

1/2 of the middle rim of the cylinder  
1 pcs., height 320 mm

#### Element E

1/4 of the middle rim of the cylinder  
6 pcs.,

E1 - 2 pcs. height 60 mm

E2 - 2 pcs. height 100 mm

E3 - 2 pcs. height 160 mm

#### Element F

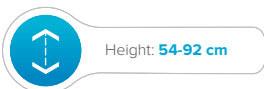
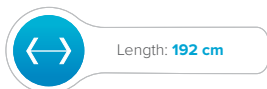
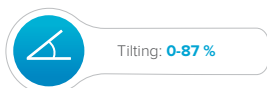
The inner cylinder  
3 pcs.

F1 - 2 pcs. height 60 mm

F2 - 2 pcs. height 100 mm

F3 - 2 pcs. height 160 mm

replaceable



Heart tests give the doctor more information about the condition of patient heart and can help find out which treatment(s) may be best for him.

Vertimo Hi-Lo table in the version Cardio + is one of the most universal and reliable cardiologic table specifically designed for tilt-table testing (TTT) and syncope assessment. Thanks to a high speed actuator and a special mechanism the patient can be quickly tilted and this allows to perform a tilt test in accordance with appropriate protocol. In addition, thanks to the electrically adjustable height and adjustable headrest, on the table the doctor can easily perform diagnostic tests like: echo or ECG.

Tilt-table test is simple, noninvasive, and informative and is one of the basic tests in the diagnosis of Reflex Syncope. Reflex Syncope (Neurally Mediated Syncope/Vasovagal Syncope) is one of the most common forms of syncope (transient loss of consciousness caused by a sudden lack of blood supply to the brain, characterized by rapid onset, short duration and spontaneous complete recovery). TTT enables the reproduction of reflex syncope in a laboratory setting and measuring how patient blood pressure and heart rate respond to the force of gravity.

## Features:

- 2-section cardiologic table with adjustable head and foot rests
- Foot rests (2) separately adjustable
- Fast tilting for TTT protocols
- 2 strong electric motors – LINAK (7,5 kN)
- Easy electric height and tilting adjustment via manual remote control with the function of access authorization ( a special key placed in the remote control)
- Powder coated, very stable steel frame
- Two-layer padding with non-flammable, bio-compatible and scratchproof upholstery in many colours
- Side brackets for belts attachment; additional bracket for leg belts attachment
- Tilt angle indicator
- 4 large separately lockable castors (movement and rotation lock)
- Emergency battery back-up power supply (allows table lowering to min. height and back to horizontal position)

## Technical data:

Dimension of sections:	2
Dimensions (length x width) [cm]:	192 x 69
Footrest length [cm]:	36
Table top inclination angle [°]:	0-87
Head section inclination angle [°]:	0-85
Footrest inclination angle [°]:	-30 up to +15
Height adjustment [cm]:	54-92
Max. lifting capacity (tilting) [kg]:	150
Max. lifting capacity (up/down) [kg]:	200
Weight [kg]:	115
Power supply [V/Hz]:	230/50

## Standard accessories:

- Fastening belts



# Axelero ver. Cardio | Stress test treadmill



0-25% (0-14°)

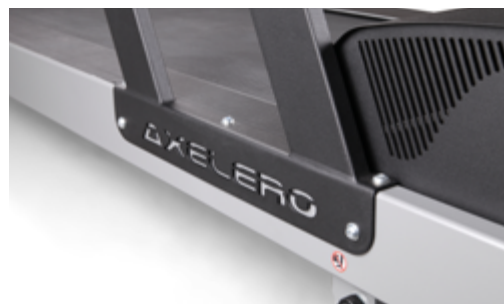
**Axelero** is a medical treadmill designed for cardiac rehabilitation. This modern medical device is intended to work with popular protocols used by stress test systems. Axelero features allow the user to control load applied on the patient during the rehabilitation exercises or exercise tests. Treadmill is operated by the control unit via a serial interface to adjust the speed and / or the elevation angle of the belt to exercise (test) requirements.

## Features:

- system of gradual speed increase from 0,2 km/h to a preset value,
- belt speed stabilization in the full drive load range,
- smooth and quiet operation in the full belt speed range,
- easily accessible safety switch which allows for switching the device and the drive off manually,
- compatibility with popular protocols used by stress test systems,
- serial port RS232 for external control.

## Technical data:

Belt speed range [km/h]:	0,2 to 25
Belt speed setting resolution [km/h]:	0,1
Belt elevation angle range [%]:	0-25
Belt elevation angle adjustment accuracy [%]:	0,5
Length of the useable part of the belt [cm]:	140
Width of the useable part of the belt [cm]:	52
Width of the stationary rest area [cm]:	10
Maximum patient weight [kg]:	200
Power supply and consumption [V/Hz]:	230/50
Device weight [kg]:	200
Dimensions [cm]:	217 x 73 x 135





# Nexus

Massage and treatment table

Electric height adjustment



Hydraulic height adjustment



Box dimensions: **220 x 85 x 75 cm** Weight: **+50 kg**



Length: **202 cm**



Height: **48-105 cm**



Width: **70 cm**



Weight: **85 kg**



Max load: **185 kg**

Massage and treatment table **Nexus** is a perfect solution for manual therapy treating and mitigating injuries or impairments by restoring or improving massaged tissues and systems functions.

Massage and treatment table **Nexus** is based on a metal scissor base with excellent usability. It has been designed especially for masseurs and manual therapists, providing them stable and convenient table for their needs.

Using the latest technology, **Nexus** has matchless and eye-catching design and finish. Each of the components of the table is made with maximum precision and reliability.

With newest manufacturing technology and the most stringent production standards a stable, robust product was created, unrivalled in its price category.

Dimensions and operating parameters of the **Nexus** table have been developed with the help of engineers and specialists in the field of rehabilitation, cosmetology and massage. Thanks to the standards applied, we obtained a fully ergonomic design that provides comfort and safety for both the patient and therapist.

## Features:

- 2- or 4-section massage and treatment table
- Electric height adjustment with a hand bar accessible from 3 sides of the table or hydraulic height adjustment with a lever
- Head section adjustment with a gas spring
- Innovative self-locking fold-down arm-rest (Smart4Arms) in 4-section table
- Stable scissor base
- Durable construction with maximum load up to 185 kg
- Equipped with access authorization system to protect against unwanted table settings change (only in electric version)
- Mobile - 2 wheels
- Aesthetic and modern design perfectly fits the design of most rehabilitation and SPA centres
- Upholstery is made of durable, waterproof materials
- Wide range of upholstery colours
- Available in two and four section version

## Additional option:

- Built-in surface heating system of table top (Comfort option - available only with electric version)

## Applications:

- Rehabilitation clinics
- Beauty salons

## Technical data:

Number of sections:	2/4
Front section angle adjustment [°]:	+40/-70
Height adjustment [cm]:	48-105
Dimensions (L x W) [cm]:	202 x 70
Weight [kg]:	85
Maximum load [kg]:	185
Power supply [V/Hz] (only electric version):	230/50



# Pacific Fiji

5 & 7-section professional couch for Medical SPA & Wellness

# Pacific Hawaii

2 & 4-section professional couch for Medical SPA & Wellness



Box dimensions: **220 x 95 x 95 cm** Weight: **+50 kg**

Length: **211 cm (Fiji), 198 cm (Hawaii)**

Height: **64-104 cm**

Width: **80 cm**

Weight: **130 kg**

Max. load: **200 kg**

Professional SPA salon or Wellness centre requires highest quality equipment. To meet the needs of the most demanding customers we designed the **Fiji** and **Hawaii** couch. Exclusive 7-, 5-, 4- or 2-section couches are made with the highest care from materials providing trouble-free operation for many years. Aesthetic design will turn your surgery into a unique place where everyone will feel special.

### Additional option:

- Integrated option of heating and LED lights
- Central lift (2 castors central lifted)

### Technical data:

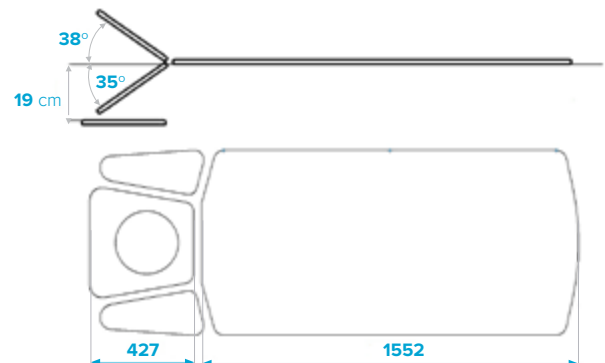
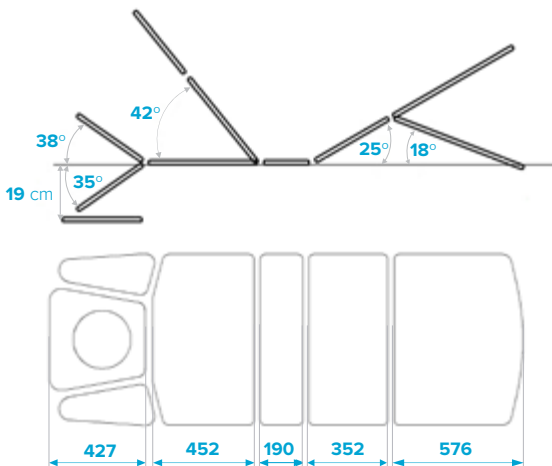
	FIJI	HAWAII
Number of sections:	5 or 7	2 or 4
Height adjustment [cm]:	64-104	64-104
Dimensions (L x W) [cm]:	211 x 80	198 x 80
Weight [kg]:	130	130
Max. lifting capacity [kg]:	200	200
Power supply [V/Hz]:	230/50	230/50

### Features:

- 7-section massage couch with electric height adjustment by the means of a remote (controller)
- Head section adjustment by the means of gas spring
- Head rest with shaped face hole with crescent plug
- Foldable armrests lowered till 20 cm
- Adjustment of: back, thighs, shanks sections by means of electric motors
- Multi-layered and very soft upholstery of 15 cm thickness
- Trendelenburg / reverse Trendelenburg position (15°)
- 2 wheels

### Features:

- 2-section or 4-section massage couch with electric height adjustment by the means of a remote (controller)
- Head section adjustment by the means of gas spring
- Head rest with shaped face hole with crescent plug
- Foldable armrests lowered till max. 20 cm (only in version 4-section)
- Multi-layered and very soft upholstery of 15 cm thickness
- Trendelenburg / reverse Trendelenburg position (15°)
- 2 wheels



# Terapeuta Start 2, LZM-3

Medical examination couches



Box dimen.: **220 x 85 x 75 cm** Weight: **+50 kg**

Metal stationary treatment table for physical therapy, kinesiotherapy or simple massage. Featuring an adjustable headrest (0°-65°). Stable construction based on a steel frame. Available in 3 versions:

- no face hole
- face hole, no plug
- face hole with a plug

2-section **Terapeuta START** table designed for the massage, rehabilitation and physical therapy treatments. Combines high quality with an affordable price, which makes it an ideal solution for newly-started physical therapy centres and massage parlours or home users. Durable steel frame is powder-painted for an increased resilience. Upholstered with top-quality artificial leather resistant to mechanical wear and tear and liquids for a long and trouble-free use.

## Features:

- Distinguishable, modern design
- Lightweight and stable construction
- Convenient paper roll holder
- Adjustable headrest for flexibility of treatment
- Comfortable, easily-cleaned bed top for the ease of the therapist and patient alike
- 40 mm thick upholstery for the increased comfort of the patient

## Technical data:

Number of sections:	2
Bed top length [cm]:	192
Bed top width [cm]:	60
Height [cm]:	73
Paper roll width [cm]:	60
Headrest adjustment [°]:	0/65
Load [kg]:	150



Box dimen.: **198 x 66 x 17 cm** Weight: **+2 kg**

## Metal couch LZM-3:

Frame made of steel sections, with powder-painted coating resistant to mechanical damage.

## Features:

- Adjustable head rest (from 0° to 50°)
- Padding with non-flammable, bio-compatible and scratchproof upholstery in many colours
- Powder coated, very stable steel frame
- Paper towel hanger (option)

## Technical data:

Number of sections:	2
Front section angle adjustment [°]:	0/+50
Dimensions (L x W) [cm]:	193 x 61
Height [cm]	65
Maxium paper width [cm]:	60
Weight [kg]:	33

## Accessories:





## Paper roll hanger



 Box dimensions: **80 x 60 x 136 cm** Weight: **+7 kg** **UNO/DUO**

 Box dimensions: **80 x 80 x 136 cm** Weight: **+12 kg** **TRIO**

 Length: **74 cm**

 Height: **176 cm**

 Width: **48 cm**

 Weight: **27/30/33 kg**

**Solmed UNO** is an infrared irradiation lamp intended for heat treatment of tissues with the use of infrared rays. Optional filters included allow for an easy change of the IR light characteristics. Single IR radiator. Used in treatment of chronic and subacute inflammatory and pain syndromes. Also used as a preparation treatment before massage, manual therapy, iontophoresis or kinesiotherapy. Available in the high-power version with 2 or 3 radiators (**Solmed DUO**, **Solmed TRIO**).

### Operational characteristic:

- IR light emission
- 1 (Solmed UNO), 2 (Solmed DUO) or 3 (Solmed TRIO) radiators
- Easy radiator position adjustment
- Easy height adjustment via gas spring (concealed inside the stand)
- Radiator has a reflector to minimise IR light leak
- Built-in fan and filter holder system
- Security mesh protects the user from accidental burns or shatter debris
- Irradiation power adjustment
- Treatment time adjustment
- Easy to use operating panel
- Base with 4 casters with brakes
- Low base for use with Terapeuta and Safari treatment tables
- Protective glasses for therapist and patient included
- Fan operation control and diagnostics
- Height regulation up to 580 mm

### Technical data:

Duration of treatment [min]:	to 30
Power supply [V/Hz]:	230/50
Maximum bulb power (UNO/DUO/TRIO) [W]:	375/750/1125
Power consumption (UNO/DUO/TRIO) [W]:	395/770/ 1140
Fuses:	2 x T8AH/250 V
Power adjustment [%]:	10-100
Dimensions (L x W x H) [cm]:	74 x 48 x 176
Weight [kg]:	27/30/33

### Standard components:

- Unit with 1, 2 or 3 heads
- Bulbs (1, 2 or 3)
- Red filter (1, 2 or 3) and blue filter (1, 2 or 3)
- Large protective goggles for the operator (1)
- Small protective goggles for the patient (1)
- Assembly kit and instruction manual

### Additional components:

- Green filter
- Orange filter





**Solmed UVA-B** is an ultraviolet irradiation lamp intended for treatment with the use of wide spectrum of ultraviolet rays.

The lamp is applicable to the treatment of certain affections, improves metabolism, improves bone remineralisation, stimulates endocrine glands, improves oxygen metabolism, lowers hypertension and has beneficial influence on the haematopoiesis.

Intended users are physiotherapy, rehabilitation units and sanatoriums.

### Functions:

- Irradiation
- Adjustable treatment time
- Adjustment of the radiators position
- Adjustment of the radiators height



Box dimensions: **80 x 60 x 146 cm** Weight: **+7 kg**

### Main indications to the use of UV light:

- Skin disorders (acne vulgaris etc.)
- Furuncles
- Inflammation of soft tissue
- Alopecia areata
- Thropic ulcerations, slow-healing wounds
- Psoriasis
- Respiratory system conditions (nose and throat conditions, chronic bronchitis, asthma), laryngological diseases
- Rheumatoid diseases (soft tissue rheumatic conditions, rheumatoid arthritis, arthrosis)
- During convalescence
- Hypofunction of endocrine glands
- Hindered bone tissue adhesion
- Prevention of rickets

### Technical data:

Duration of treatment [min.]:	1-15 (option 1-60)
Power supply [V/Hz]:	230/50
Max. single radiator power [W]:	20
Max. power consumption (4/6 radiators - option) [W]:	80/120
Dimensions (L x W x H) [cm]:	62 x 48 x 187
Weight [kg]:	32





Box dimensions: **40 x 32 x 15 cm** Weight: **+1 kg**

**Invacmed** is a modern 2-channel device for combined vacuum massage and electrotherapy treatment. The efficiency and intensity of the therapeutic treatment by vacuum wave is increased with the use of electrotherapy. It supports electrotherapeutic treatment in case of limb swelling caused by injuries, in acute and chronic pain, peripheral circulation disorder, vein and lymphatic stagnation and to achieve muscle relaxation in spastic condition.

### Features:

- 2 independent channels
- Possibility to perform vacuum massage without the currents application to stimulate blood circulation and metabolism
- Cooperation with electrotherapy units
- Fast, practical fixing of electrodes in hard-to-reach places of the body
- Perfect electrode adherence to the body
- Independent electrotherapy electrode connection
- Constant and pulsating vacuum
- Low noise operation
- Electronic control and protection against too high vacuum force
- Indication of water tank filling
- Power saving operation

### Technical data:

Vacuum wave frequency [pulses/min.]:	15-90
Vacuum [mbar]:	400
Number of electrodes:	4
Power supply [V/Hz]:	230/50
Current consumption [A]:	0,1
Dimensions [mm]:	335 x 135x 325
Weight [kg]:	3,4



### Standard accessories:

- 4 vacuum electrodes (60 mm) with viscose inserts
- full set of electrode cables
- power supply cable

### Optional accessories:

- electrodes (30 and 90 mm)
- viscose inserts (30 and 90 mm)
- electrotherapy device connecting cable



# Pelvictrainer

Rehabilitation of pelvic floor muscles with biofeedback, without intimate contact

**Pelvictrainer** is a device that uses biofeedback in the training of the pelvic floor muscles, without any need for internal probes. The patient performs exercises in a sitting position, dressed. Thanks to a sensor built in the device seat the device records the pelvic floor muscles activity while they are tensed, relaxed, or contracting. The device monitor displays a large and clear graph providing data used by the patient to perform the training.

The graph configuration is simple and easy to program. The level of exercise difficulty is individually defined and adjusted by therapists.

Fulfilment of training requirements is expressed as a percentage, which allows for precise and objective assessment of the therapeutic progress of each patient.



Prophylactic pelvic floor exercises should be performed by everyone, regardless of age, but above all, they are recommended to those over age 40. Weakening of the pelvic floor muscles results in the urine leakage, e.g., during coughing, laughter, running etc. It may also lead to prolapse of reproductive organs, urethra, and loss of sexual sensation in women and men (problems with erection). Another symptom is the lumbar instability and pain, as well as hips and even knees pain.

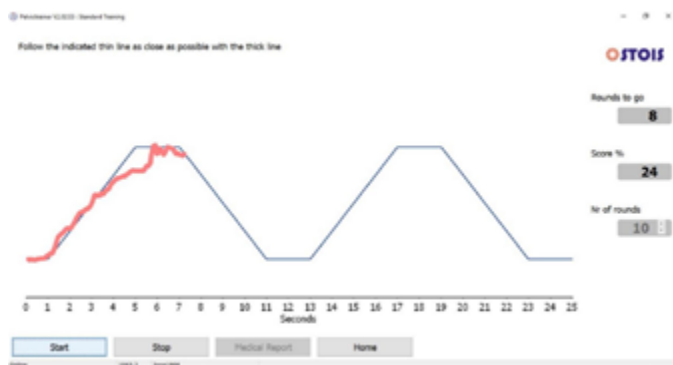
## Pelvictrainer for women and men:

- active training of the pelvic floor muscles,
- specially developed coordination exercises.

Urinary incontinence affects approximately 20% of the population. It is frequent in women over the age of 50, but it affects even 70% of women who are more than 60 years of age. Urine incontinence is also a problem in young women after childbirth.

About 15% of young men suffer from erectile dysfunction, but in men over the age of 50 this problem occurs several times more often. Urinary incontinence usually follows prostatectomy, during which muscles or nerves responsible for closing the urethra and supporting the bladder and rectum may be injured. Before and after each surgical treatment within the pelvic floor, rehabilitation is necessary to consolidate its effects.

The pelvic floor muscles are directly responsible for overall stability, which is why exercising them is so important also as an effective analgesic measure.



## Pelvictrainer is an effective and comfortable solution for people with weakened muscles of pelvic floor.

The training is performed in clothes, without intimate contact, so it is a great alternative for people who cannot break the shame or have other contraindications to using internal probes.

Both the patient and the physiotherapist use the device monitor to check correctness of the exercise being performed. The patient learns to perform correct, and therefore effective training – the first effects are noticeable already after 10-20 sessions. There are no side effects. Before starting the therapy, women after childbirth and patients after surgery within the pelvic floor must have their wounds healed.

Persons with a pacemaker, a weak heart or a complex pelvic function disorder should consult their physician before training.



## Indications:

In addition to preventive use, Pelvictrainer is particularly helpful in:

- urine / faecal incontinence,
- irritable intestines,
- faulty postures,
- back pain,
- childbirth (before and after),
- erectile dysfunction,
- incomplete uterovaginal / urethra prolapse,
- rehabilitation following intra-pelvic surgeries,
- rehabilitation following prostate surgeries,

and many other conditions.

## Kegel muscles - why should you exercise them?

These muscles are responsible for easier and less painful childbirth and faster recovery after it. They allow also to avoid many serious disorders: urine incontinence, bladder or uterine prolapse, and spine instability. Strong Kegel muscles provide better sexual sensations.

## Using Pelvictrainer to train the pelvic floor muscles improves the quality of life

\*In the gynaecology department of the University Hospital in Zurich, women start training with Pelvictrainer shortly after childbirth.

Having completed the training with Pelvictrainer and after the symptoms have resolved, it is worth to continue exercising the pelvic floor muscles at home. Training at home, patients use the experience gained during therapeutic sessions to maintain and even enhance the therapeutic effect.

## Technical data:

Mains power [VAC/Hz]:	Input: 100 – 240V AC 50/60Hz 0.5A; Output: 5V DC
Internal power supply:	19V DC 3.42 A Monitor rated current; 5V +/- 5%, Rated current < 4 mA Sensor
EMV-Niveau (measurement sensor):	CISPR 11, Group 1, Class B (complies with IEC 60601-1-2)
Total weight of the device [kg]:	45 (sensor 0.35)
Dimensions [cm]:	Length = 129 Width = 50 Height = 96
Seat [cm]:	Length = 31 Width = 32 Height = 1.5
Sensor [cm]:	Length = 27 Ø 4.1
Max. patient weight [kg]:	160
Working temperature [°C]:	10 - 40
Storage temperature [°C]:	-25 - 65
Air humidity [%]:	10 - 90 (without condensation)
Air pressure [hPa]:	700 - 1100
Permissible seat height adjustment [cm]:	< 100



## Chair for the Incontinence Therapy

With a specially designed applicator opening for **Functional Magnetic Stimulation** (FMS).

The opening fits the applicators of the devices: Zimmer (emField), REMED / BTL (Salus-Talent, Salus-Talent Pro)



# AMAZING MX-4

Cryochamber



The **AMAZING MX-4 cryochamber** is a technically advanced and innovative product

It is a closed construction which provides full cryotreatment. With the use of high-quality materials, like glass, aluminium and top grade plastic were designed revolutionary forms patient friendly.

The AMAZING MX-4 cryochamber comes in 2-3, 4-5 and 6 person sizes, and uses liquid nitrogen.

## Indications:

- physiotherapy
- professional sport
- beauty

## Available coloristic:



## Parameters and functions:

- Consists of a pre-chamber booth, and, the main chamber, including technical facilities
- Main power supply: 230V 50-60 Hz 2,8 kW
- Adapted to individual local conditions
- Controlled by a 15" touchscreen
- Power supply based on heat-exchange system
- The floor of the pre-chamber booth and the main chamber on even levels
- Built with isolating walls and covered with ceiling
- The inside walls and the floor made of wood
- Working substance - liquid nitrogen (N<sub>2</sub>)
- Main chamber temperature adjustable between -110°C and -160°C
- The floor in both the main chamber and the pre-chamber booth made of non slip material
- Treatment time adjustable between 1 and 3 minutes
- The "Cold Buffer" system buffers cold without blowing air into the main chamber between treatments
- Drying time adjustable between 3 and 5 hours
- Voice communication between the patient and staff temperature and time of the treatment, as well as date, visible on the touchscreen
- Temperature measured by independent sensors located on different heights
- The measured results are presented on the touchscreen
- Treatment counter
- An electronic system allows to keep a cooled down cryochamber in stand-by mode, while keeping the temperature down between -60°C and -100°C
- Treatment history available on the touchscreen
- Automatic and maintenance-free cryochamber drying system
- A prompt system informing about correct and incorrect treatment parameters (treatment start and finish, cooling down start and finish)
- Entry door made of tempered glass
- Treatment chamber fitted with panoramic, heated window allowing for eye-contact of the patient with the staff
- Automatic, electronic temperature recirculation system evening the temperatures of the temperatures of the top and bottom parts of the treatment chamber.

## Systemic cryotherapy:

Systemic, or whole-body cryotherapy, has been used with success for many years for treatment of different, mostly rheumatoid conditions. Cryotherapy is a stimulating exposure to extremely low temperatures (under  $-120^{\circ}\text{C}$ ) for no longer than 3 minutes. It influences the surface of the whole body, and provokes defensive mechanisms, which are medically beneficial, and effectively revoke the status quo of the human organism.

The treatments involved in this therapy have a systematic nature. Thanks to this method, treating and helping patients with mostly, but not only rheumatoid conditions. This method is often used with patients suffering from neurologic conditions with muscle spasticity, in post traumatic and post surgery conditions, in primary and secondary auditory system degenerations. The treatment is especially effective in sports traumatology. Systemic cryotherapy has become a powerful tool in treating sports trauma, and post-fatigue recovery.

An additional effect, some stimulation of the CRYOTHERAPY, on stimulating the body, leading to it, which can achieve anabolic effect, approach the induced pharmacological doping. An additional effect, some stimulation of the CRYOTHERAPY, on stimulating the body, leading to it, which can achieve anabolic effect, approach the induced pharmacological dopin.

## Recommendation:

- Rheumatoid arthritis
- Juvenile chronic arthritis
- Reactive arthritis
- Psoriatic arthritis
- Ankylosing spondylitis
- Gouty arthritis
- Inflammatory lesions of the joints of metabolic origin gouty diathesis
- Cervical spondylitis
- Humeroscapular peri-arthritis
- Periarticular tendinitis, joint capsulitis and myositis
- Fibromyalgia syndrome (rheumatic disorders of soft tissues)
- Posttraumatic dislocation and sprain of joints
- Meniscus damage
- Tearing of ligaments and muscles
- Control of chronic pathological pain from conservatively treated disorders
- Muscle spasticity control of reflex and CNS origin during neurological rehabilitation

## Recommendation of application of the systemic cryotherapy in the professional sport:

- For muscles: the traction injuries ( stretching, braking of the muscle fibres, painful muscle tones and contractions)
- For fasciae: the syndrome of fascial compartment
- For tendons: rotations, extensions, tenodeses, tendinopathies,
- aseptic inflammation of tendons and attachments (of popliteal muscle
- Achilles tendon, of a tennis player's elbow, of a golfer's elbow, the syndrome of a painful shoulder)
- For joints: injury of a joint capsule, injury of articular cartilage
- For overloading: the syndrome of the knee-cap and thigh (a runner's knee), the syndrome of the back group thigh muscles, the syndrome of psoas muscles (a weight-lifter's back/dorsum), the inflammation of the plantar aponeurosis)
- For chronic sports injuries: for example: the inflammation of the calcanean spur, metatarsalgia, fatigue-breaking of the metatarsal bones
- For the succour in biological regeneration (stimulating actions)
- For the succour in endurance and weight training
- For acceleration of post-weight training regeneration (regulation of oxidizing stress)
- For prevention of overloading

## Biological regeneration:

- Slowness of the aging processes
- Regulation of metabolic processes (struggle against the overweight and obesity)
- Controlling the cellulites
- Leveling of the physical and psychological fatigues

## Beauty:

- Healthy, firm, ventilated and nourished skin
- Healthy hair
- Healthy and strong nails



# Kriopol R - Bryza II, Mistral | Cryotherapy devices



**Bryza II**



**Mistral**

**Bryza II** and **Mistral** are the products for cryotherapeutic procedures, often used by specialists in physiotherapy and cosmetic clinics.

## Benefits for patients:

- Reduced pain
- Increased metabolism
- Reduced activity of the inflammatory process
- Reduced use of anti-inflammatory and anaesthetic medications
- Reduced tension of skeletal muscles
- Faster regeneration and recovery
- Improved motion in the treated joints
- Faster treatment process
- Reduced swelling
- Reduced cellulite and firmer skin

## Advantages:

- Pressure-free, safe and easy to use
- Different tank capacities corresponding to the client's needs
- Unique technology to maintain the elasticity of the tube supplying the nitrogen vapours onto the patient's skin
- Ready-to-use: 30 seconds after starting it reaches the working temperature of -100 to -160 degrees Celsius
- Does not cause cold burns, as the vapour stream is homogeneous and does not contain droplets of liquid nitrogen

## Main areas of application:

- Rehabilitation
- Sports medicine
- Aesthetic medicine

## Technical data:

	<b>Bryza II</b>	<b>Mistral</b>
Refrigerant:	liquid nitrogen	liquid nitrogen
Temp. at nozzle exit [°C]:	-160	-160
Time to reach working temp. [s]:	30	30
Display:	LED	LCD (4x20)
Tank capacity [l]:	15 / 30 / 50	30 x 50
Weight [kg]:		
- without container	10,7 / 12,5 / 11,6	15,1 / 13,9
- with container	19,4 / 27,7 / 32,7	28,3 / 34,8
- with full container	31,3 / 50,7 / 72,6	53,3 / 74,9
Dimensions (W x L x H) [cm]:	40 x 52 x 86 / 47 x 60 x 86 / 54 x 68 x 98	48 x 58 x 95 / 54 x 68 x 98
Power supply [V/Hz]:	230/50	230/50
Max. power [W]:	500	500

# Trolleys and ergonomic stools



Box dimensions: **52 x 60 x 92 cm** Weight: **+2 kg**

**Trolmed SPA-2** designed mainly for electrotherapy, ultrasound, ECG and diagnostic devices. Its design makes it easy to build a treatment set consisting of various devices. In addition, it is possible to mount a basket and a power cable with 2 plugs.

## Features:

- Powder coated steel
- 2 shelves
- 4 transport wheels; two front ones with brake
- Removable 22l basket (optional accessory)
- Power cable with 2 plugs (optional accessory)

## Technical data:

Depth [mm]	430
Width [mm]:	540
Height [mm]:	890
Number of shelves:	2
Maximum load [kg]:	25 per shelf
Upper shelf dimensions [mm]:	365 x 500
Lower shelf dimensions [mm]:	425 x 500
Basket capacity [l]:	22
Weight [kg]:	14

## Additional accessories:



Basket

Power cable with 2 plugs (type C-13)



Box dimen.: **60 x 59 x 24 cm** Weight: **+1,5 kg**

**FLEXI Saddle stool:** lightweight and comfortable stool for physicians and therapists with chrome-plated base and column.

## Features:

- Poromeric leather
- Height adjustment
- Tilting seat (front / back)
- Chrome-plated base
- Rubberised castors

## Technical data:

Height [cm]:	50-70
Tilting adjustment [°]:	15
Max. load [kg]:	150
Weight [kg]:	7

## Option:

- version with self breaking castors



Box dimen.: **60 x 59 x 18 cm** Weight: **+1 kg**

**SITMED Round stool:** lightweight and comfortable stool for physicians and therapists.

## Features:

- Poromeric leather
- Height adjustment
- Chrome-plated base
- Rubberised castors

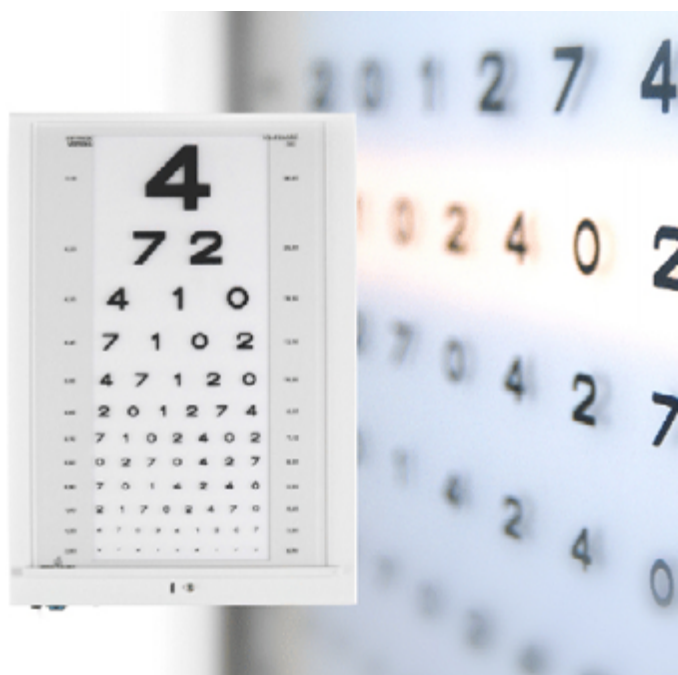
## Technical data:

Height [cm]:	52-72
Max. load [kg]:	150
Weight [kg]:	6 kg

## Option:

- version with self breaking castors





**OKO** - illuminated eye test chart with infrared remote control designed for eye examinations.

### The user can:

- Switch the chart on
- Illuminate all symbols in the row
- Illuminate only one symbol in the row
- Change the operating mode (a whole row, a chosen symbol)
- Choose the pointer direction
- Put it in the stand-by mode

### Features:

- 6 button remote control
- Several available optotypes
- Screen blanking
- Demonstration program - automatic change of the optotype illumination
- Automatic stand-by mode with backlight off (when idle for more than 4 min.)

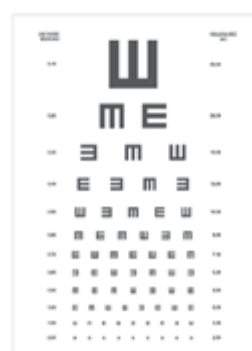
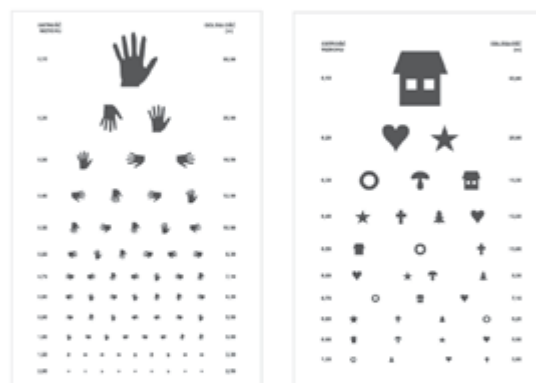
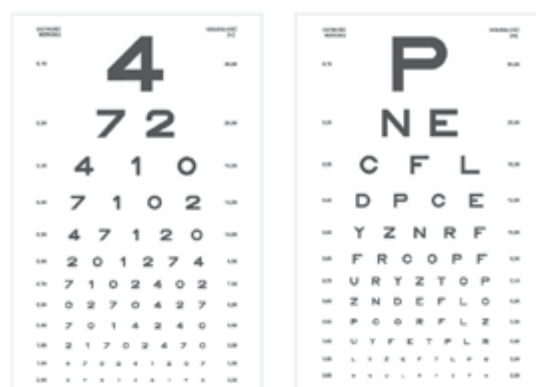
In the case of simultaneous use of several charts in one room, the change of optotype illumination occurs synchronously – all working charts perform commands from the remote control in the same way.

### Illuminated eye test chart OKO is:

- Easy to assemble
- Comfortable to operate
- Highly reliable
- Nice looking appearance
- Able to reduce the test time and allows for changing optotypes during an eye examination

### Technical data:

Operating:	infrared
Light source:	LEDs
Supply voltage [V]:	230
Power [VA]:	6
Remote control battery:	LR 06-AA, 1.5V, 2 pcs
Dimensions (HxWxD) [mm]:	560x395x60
Weight [kg]:	6



SNELLEN'S HOOKS



## Wenus

A chair designed for gynaecology examination and treatment.



Box dimensions: **164 x 89 x 80 cm** Weight: **+40 kg**

## One chair, so many advantages!

Electric motors for easy adjustment of seat and backrest. Motors controlled with foot switch or hand-operated remote controller. Braked castors. Paper roll holder behind the backrest. Special bowl holder that folds under the seat. Optional panel turns the chair into a versatile operating table.

## Main features:

- versatile
- ergonomic
- robust
- mobile
- smooth, precise adjustment
- high-quality finish

## Mars

A chair designed for urological examination and urodynamic testing.

## Technical data:

Length (excl. operating table panel) [cm]:	182 (140)
Width (excl. clamps) [cm]:	90 (78)
Seat (W x D) [cm]:	60 x 38,5
Backrest (W x H) [cm]:	60 x 90
Seat adjustment (chair mode) [cm]:	45-95
Motor voltage [VDC]:	24
Work cycle of motors:	2 min. work / 18 min. pause
Allowable load [kg]:	220
Weight (exc. accessories) [kg]:	~95
Power [VAC]:	230
Upholstery colour:	sea green (default), other colours available

[See standard colours on page: 33](#)



Gynaecology examination chair WENUS + leg rests with GIN clamp mount without regulation + paper roll holder. No controllers included. Purchased separately.



Gynaecology examination chair WENUS + leg rests with URO clamp mount with regulation + paper roll holder. No controllers included. Purchased separately.



Urological examination chair MARS + leg rests with URO clamp mount + hand rests + paper roll holder. No controllers included. Purchased separately.



# Wenus

Gynaecology examination chair

# Mars

Urological examination chair

## Accessories for Wenus chair:

## Accessories for Mars chair:



Shared frame  
of Mars and Wenus chair



Leg rest with a GIN clamp  
mount (without regulation)



Leg rests with an URO  
clamp mount  
(with regulation)



Bowl without  
a drain



Leg rests with an URO clamp  
mount



Hand rests



Swivel leg rests



Bowl with a drain



Bowl without  
a drain

## Common accessories:



Operating table panel



Arm rest with an URO  
clamp mount for drip  
infusions



Foot-operated  
controller



Hand-operated  
controller



Infusion hanger





Box dimensions: **122 x 71 x 20 cm** Weight: **+3 kg**

**GraviS** is designed for Inversion Training, aiming to support the spine rehabilitation and relieve the pain of the back. Inversion devices are used to reverse the patient's position from upright to upside down with the head down.

This position limits the intervertebral pressure, advantageously affects muscle stretching and posture correction.

**GraviS** thanks to the special construction has a positive influence on relieving the pressure of the intervertebral without causing ankle nor knee injuries.

### Indications:

- Posture correction
- Stretching of contracted muscles
- Stabilization of the lumbar spine
- Maintaining spine mobility
- Increasing strength and endurance of the neck muscles, scapular astringent muscles and back extensor muscles
- Reducing lumbar back strain

### Features:

- Foldable, for easy storage
- Designed to accommodate users up to 195 cm tall and up to 135 kg
- Stability
- Easy to use
- 7-step height adjustment
- 7-step thigh thickness adjustment
- 5-step thigh length adjustment
- Made of steel tubing for durability with powder/zinc-coated finish, with stainless steel elements

### Technical data:

Width [cm]:	65
Height (folded/unfolded) [cm]:	118/min. 88 - max. 101
Length (folded) [cm]:	18
Distance of leg spacing (unfolded) [cm]:	min. 76 - max. 127
Maximum weight capacity [cm]:	135
Weight [kg]:	~ 15 kg



Box dimensions: **180 x 90 x 50 cm** Weight: **+3 kg**

**Rototrak** is mainly designed for Inversion Therapy, which involves using gravity to straighten and elongate the spine, which results in more relaxed back muscles.

Functional gravity inversion table with "head down" position relieves the spinal discs and relaxes muscular tension.

The device can use also people with no back problems, but who want to stay healthy and to have good shape. **Rototrak** increases flexibility and blood circulation.

### Features:

- Foldable, for easy storage
- Extra-long back rest fully padded for comfort and support
- Designed to accommodate users from 150 to 205 cm tall and up to 136 kg
- 7-step angle adjustment
- 4 ergonomic ankle holders padded with foam
- Special lever mechanism for ankle stabilization
- Long safety handles that makes exercising more secure
- 4 round non-slip rubber floor stabilizers
- Made of steel tubing for durability with powder/zinc-coated finish, with stainless steel elements

### Technical data:

Dimensions (L x W x H) [cm]:	177x71x125
Maximum weight capacity [kg]:	136
Angle adjustment [°]:	0, 15, 30, 45, 60, 80, 90
Weight [kg]:	~ 30







Box dimensions: **16,5 x 7,5 x 96 cm** Weight: **4,5 kg**

**RehaCross** is a very easy to use and safe device for attaching different therapeutic tapes (available on the market).

Simple, lightweight construction with a (wall-mounted) guide rail and adjustable belt lock which take up little space. Suitable for use in medical centers or in patients' homes.

Flexible bands support a very diverse resistance trainings, which mobilize deep muscles highly efficiently and improve stability and balance control.

Dumbbells or weights can be replaced with bands of different resistance. Adjustable handle allows for custom-made training for upper and lower limbs, trunk muscles and myofascial workout, regardless of patient's height.

The device will definitely help increase the effectiveness of each therapy and will also serve healthy people who want to prevent joints and muscles injuries and pain.

## Application:

- Neurological rehabilitation
- Orthopedic rehabilitation
- Post-traumatic rehabilitation
- Physiotherapy
- Balance training
- Stabilization and deep muscle training
- Improving posture and muscle strength
- Mobility
- Myofascial training
- Improving physical condition
- Weight reduction
- Prevention and reduction of muscle and joint pain

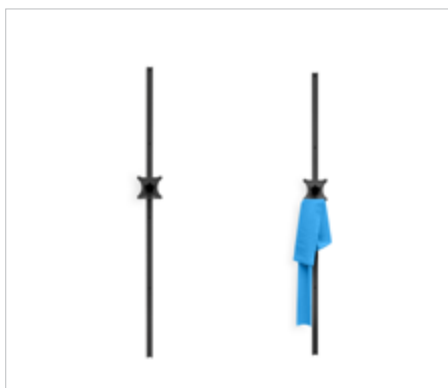
## Used in:

- Hospital rehabilitation wards
- Sanatoriums
- Sports centers, gyms
- Patient homes
- Gymnastic classes
- Rehabilitation centers

## Technical data:

Height [cm]:

190



# KTM, KTM BO

Fine motoric tables for manual hand exercises



Box dimensions: **80 x 30 x 60 cm** Weight: **+1,5 kg**

## KTM:

- The exercises on the tables improve the ability to daily activities
- Therapeutic rehabilitation in case of orthopedic, rheumatological and neurological disease of hand
- For use in the hospitals (in rehabilitation, surgical or neurological wards) as well as in outpatient rehabilitation
- Improve the manipulation skills, motor coordination of hand and eye-hand coordination
- For dorsiflexion, palmar flexion and rotation in wrist joint, conversion and inversion of the forearm
- Foldable base

## Accessories:

- Circle with handle - for conversion and inversion of the forearm
- Handle - for dorsiflexion and palmar flexion in wrist joint
- Flap - for dorsiflexion and palmar flexion in wrist joint
- Vertical spiral - for rotation in wrist joint
- Horizontal roller - for dorsiflexion and palmar flexion in wrist joint
- Arm stabilizer (stabilizer axis adjustment in the range of 0-90°)

## Technical data:

Table top dimensions (W x L) [cm]:	52 x 86
Height adjustment [cm]:	54-86
Mass [kg]:	10
Plummet mass (5 items) [kg]:	0,25/item

## KTM BO:

## Accessories:

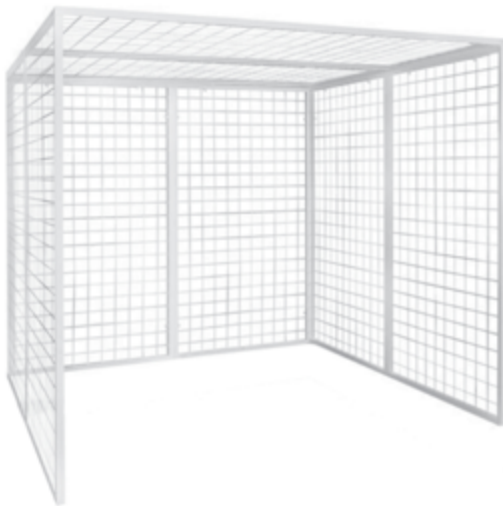
- Horizontal spiral - for rotation in wrist joint
- Vertical roller with the spring - for dorsiflexion and palmar flexion in wrist joint
- Vertical ball with the spring - for abduction and adduction in wrist joint
- Pin - for improvement of manipulation skills
- Knob - for improvement of manipulation skills
- Arm stabilizer (stabilizer axis adjustment in the range of 0-90°)

## Technical data:

Table top dimensions (W x L) [cm]:	72 x 52
Height adjustment [cm]:	54-86
Mass [kg]:	8,4



## KC - Treatment Cage for Pulley Therapy:



Box dimensions: **215 x 136 x 55 cm** Weight: **+50 kg**

Used for treatment in locomotor system pathologies for individual exercises. Complete workstation consists of: KC-1 cage, treatment table, set of accessories (ropes, slings, etc.). Standard cage KC-1 is composed of 8 detachable panels (rectangular steel grids for attachment of various accessories during training). Made from steel painted with white powder epoxy.

### Technical data:

Dimensions (H x W x D) [mm]:	2000 x 2000 x 2000
Dimensions of 1 panel [mm]:	1000 x 2000 x 30
Mass of 1 panel [kg]:	22,5
Total mass [kg]:	180

## PDB-1 and PDB-2 - balance boards:



Hand crafted balance platforms are quality exercise devices for balance and proprioceptive exercises. Improve coordination, concentration and motor function, actively strengthen core muscles, ankles, knees, legs and back. Stimulate the inner ear to develop static and dynamic balance and gravitational orientation in conjunction with eyeball movement. Develop and improve movement smoothness.

Made from high-quality plywood with hardwood ball. Quality lacquer finish for easy maintenance and long lasting use. Optional version with sandals with straps attached to the pad.

### Technical data:

	PDB-1	PDB-2
Balance balls:	1	2
Platform shape:	round	rectangular
Platform size/diameter [mm]:	500	400 x 300
Height [mm]:	72	72
Max load [kg]:	150	150

## UCS - appliance for ankle joint exercises:



Appliance dedicated for performance of movements in sitting position: flexion, extension, adduction, abduction or rotation during the exercises with and without load. There is possibility of angle adjustment and blockade of foot rotation around longitudinal and transverse axis, as well as loading in these directions. Foot fixing is performing by the means of sandal with plywood sole and leather straps with fastener.

### Technical data:

Adjustment of rotation angle of foot longitudinal axis:	±35°
Adjustment of rotation angle of foot transverse axis:	±35°
Load adjustment of foot longitudinal axis [kg]:	0 or 1
Load adjustment of foot transverse axis [kg]:	0 or 1
Dimensions (L x W x H) [mm]:	565 x 435 x 290
Plummet weight [kg]:	1
Appliance weight without plummets [kg]:	6



Box dimensions: **97 x 57 x 112 cm** Weight: **+20 kg**

**AVIOR** device enables effective rehabilitation through self-assisted, active, resistance and functional exercises of the crurotalar joint. **AVIOR** provides also a knee rehabilitation option, achieved by self-assisted, active and resistance flexion and extension.

The option of self-assisted exercising allows the therapist to supervise more than just one patient at a time. While training, the patient defines his/her pain threshold and the device is set accordingly, ensuring they are the safety and comfort during exercising. **AVIOR** is a device that is simple to use and mobile due to the wheels installed on the main frame. An ergonomic, eye-catching design ensures the comfort of usage.

### Features:

- Active, self-assisted, resistance and functional rehabilitation
- Elastic resistance
- Mapping the anatomical axles of the joints in the device
- Effectiveness and comfort of usage

### Range of motion:

Dorsiflexion [°]:	40
Plantarflexion [°]:	35
Pronation and supination [°]:	31
Extension of the knee [°]:	40
Flexion of the knee [°]:	30

### Technical data:

Weight [kg]:	25
Length [mm]:	892
Width [mm]:	390
Height [mm]:	910



Box dimensions: **97 x 57 x 112 cm** Weight: **+20 kg**

**DRACO** device enables active, self-assisted and resistance exercises of the ankle. The option of self-assisted exercises enables the therapist to supervise more than just one patient at a time. While training, the patient defines his/hers pain threshold and the device is set accordingly, ensuring the safety and comfort of exercising. In the next stage of rehabilitation the patient trains in active and active-resistant mode to increase their strenght and agility.

Precise mapping of the anatomical axles of the crurotalar joint in the device enables the patient to return to or to achieve the complete agility. **DRACO** is simple and intuitive to use and its ergonomic design ensures comfort during usage. It also offers desirable aesthetics.

### Features:

- Active, self-assisted, resistance and functional rehabilitation
- Mapping the anatomical axles of the joints in the device
- Complete range of motion
- Eye-catching design

### Range of motion:

Dorsiflexion [°]:	40
Plantarflexion [°]:	47
Pronation and supination [°]:	34

### Technical data:

Weight [kg]:	16
Length [mm]:	680
Width [mm]:	400
Height [mm]:	940





**PICTOR** allows the individual to achieve the complex rehabilitation of the wrist joint based on active and self-assisted exercises which are needed to rebuild the functions of the anatomical movements of the wrist.

**PICTOR** enables self-assisted, active and resistant exercises for the wrist area, and is supplemented with self-assisted rotational movements of the forearm. While training, patient defines the pain threshold and the device is set accordingly, ensuring safety and comfort during exercising.

**PICTOR** is also advised to rehabilitate various types of wrist joint injuries, together with the neurological disorders or muscular dystrophy.

### Features:

- Active, self-assisted, resistance and functional rehabilitation
- Mapping the anatomical axes of the joints in the device
- Effectiveness and comfort of usage
- Adaptive to various disfunctions

### Features of the table:

- Possibility of Pictor assembly
- Mobility
- Easy to maintain hygiene

### BIOfeedback:

- Customisation of the exercises after defining patient's ranges of motion
- Option of game and chart mode
- Scores and results archives
- Upgrades monitoring
- Motivation of the patient
- For Avior, Draco and Pictor
- In set: sensor, stand for tablet



Box dimensions: **97 x 57 x 45 cm** Weight: **+20 kg**

### Range of motion:

Wrist flexion and extension [°]:	90
Adduction of the wrist joint in the sagittal plane [°]:	72
Abduction of the wrist joint in the sagittal plane [°]:	90
Rotation of the forearm [°]:	90

### Technical data:

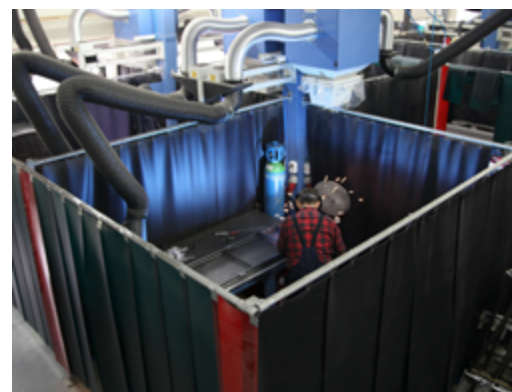
	Pictor	Table
Weight [kg]:	17	
Length [mm]:	360	945
Width [mm]:	620	450
Height [mm]:	240	720



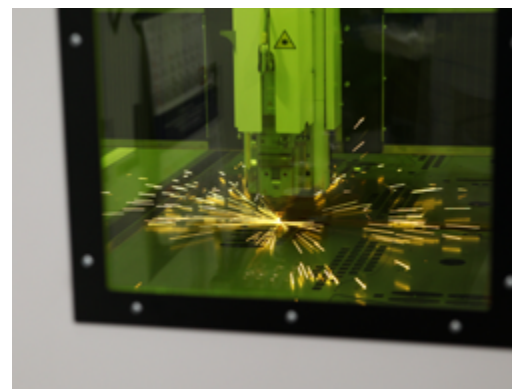
# Production and R&D Department



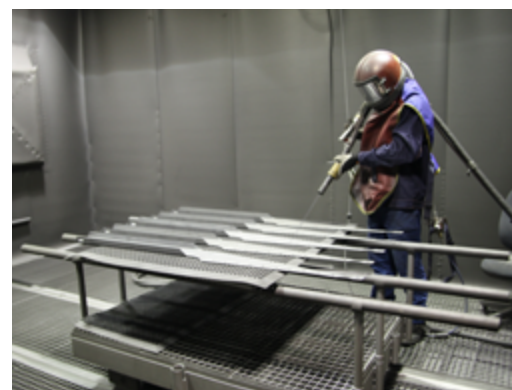
Modern powder painting line



Welding shop



Laser



Sand blasting

Since the very beginning of our work we produce professional medical devices. Thanks to the investments made, our production lines are equipped with the highest quality devices for mechanical and electronic production. In recent years we have expanded our facilities by purchasing CNC machining centers and powder painting shop. In addition to the excellent machinery, we are proud to boast a qualified research team, and experienced production staff.

Thanks to the modern production technology, the experienced designers team and close cooperation with medical industry representatives - our medical devices are appreciated in Poland and worldwide. Due to the extensive offer of manufacturing capabilities we also provide contract services in the field of design, development and final product manufacturing, based on our own documentation or the documentation provided by the customer.

We look forward to cooperating with you.



**MEDEN-INMED Sp. z o.o.**

ul. Wenedów 2, 75-847 Koszalin, Poland

Phone: +48 94 344 90 50, +48 94 344 90 78

Fax: +48 94 347 10 41

Mobile: +48 602 668 002, +48 601 646 866

[international@meden.com.pl](mailto:international@meden.com.pl)

[www.en.meden.com.pl](http://www.en.meden.com.pl)

